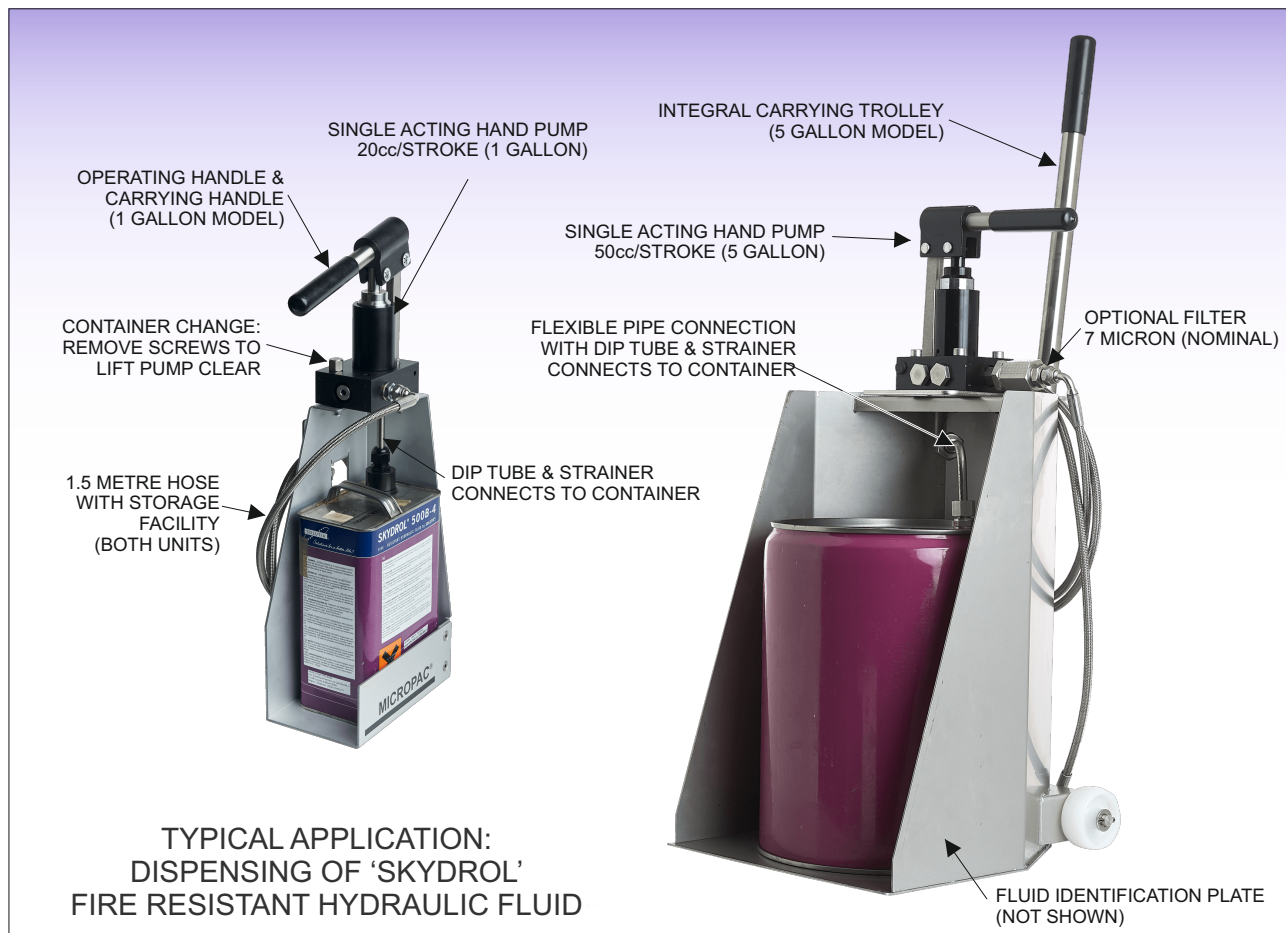




Micropac M1 Series Hydraulic Fluid Dispenser

Safe portable dispensing straight from the container



FEATURES

- Safe and portable manual handling of fluids
- No pouring; dispense direct from container
- Rugged construction for long service life
- EPDM sealing for phosphate esters
- Optional 7 micron (nominal) outlet filter
- For standard 1US gallon/ 5US gallon containers
- Easily transportable with carrying handle/ trolley
- Pump displacement 20cc(1 gall.) / 50cc(5 gall.)
- Typical fluid handling capacity 1 litre/minute
- Easy to use- pumps on down stroke only
- Supplied with 1.5 metre delivery hose
- Hose storage facility when not in use
- Hard chromed piston rod with dirt excluder
- Service backup - all valve seats replaceable
- Quality assured Micropac product
- Factory support for product and application
- British designed and manufactured
- Skydrol is a Registered Trade Mark of Eastman

INSTALLATION & MAINTENANCE

APPLICATION

Suitable for dispensing fire resistant hydraulic fluid direct from manufacturer's container (Eastman 1 or 5 US gallon options) at pressure up to 1 bar. Connection to system is via 1.5 metre delivery hose.

Suitable for current Eastman can configuration.

MATERIALS OF CONSTRUCTION

Wetted parts: stainless steel, anodised aluminium, nylon. Seals: PTFE and EPDM rubber.

Optional hose: ptf, stainless steel fittings.

SAFETY

When in use, this unit is a component forming part of a hydraulic pressure system. If forming part of a permanent installation, the system should be designed, operated and maintained in accordance with statutory requirements and other relevant instructions.

A risk assessment covering safe installation, operation and maintenance should always be carried out prior to use. Always wear PPE including goggles. Clean up any spills.

USE

First use: site unit on a flat surface.

1 gallon unit: on the pump dip tube, loosen the gland nut on the knurled dip tube connection to allow it to move freely on the dip tube. Unscrew the two pump retaining screws, lift the pump unit clear and locate a new container of fluid into the carrying frame, with filler cap to the rear. Remove the container filler cap and lower the pump unit back onto frame, feeding dip tube into the container.

Refit the two pump retaining screws, ensuring that the pump fits over the location spigot. Screw the dip tube connection onto the container filler then re-tighten the gland nut on the tube. Hand tight only.

5 gallon unit: install the new container into the trolley frame, ensuring that the filler cap is positioned to the front. Remove the container filler cap. Loosen the gland nut on the dip tube connection and the lower dip tube into the container. Screw the dip tube connection onto the container filler. Push the dip tube down to the bottom of the container and re-tighten the gland nut on the dip tube. Hand tight only.

Both models: uncoil the delivery hose from the storage bracket, remove the delivery hose end cap and make connection of the hose to the system via G1/4 female swivel connection. Operate the pump handle; the unit is self priming. Fill the system to desired level. Disconnect the hose and coil around the storage bracket, ensuring that the hose end cap is refitted.

Changing the container: both models- loosen the gland nut on the dip tube connection and unscrew the dip tube connection from the container. Lift the dip tube clear of the container (1 gallon unit; lift the pump clear) and withdraw the empty container. Follow the first use procedure above.

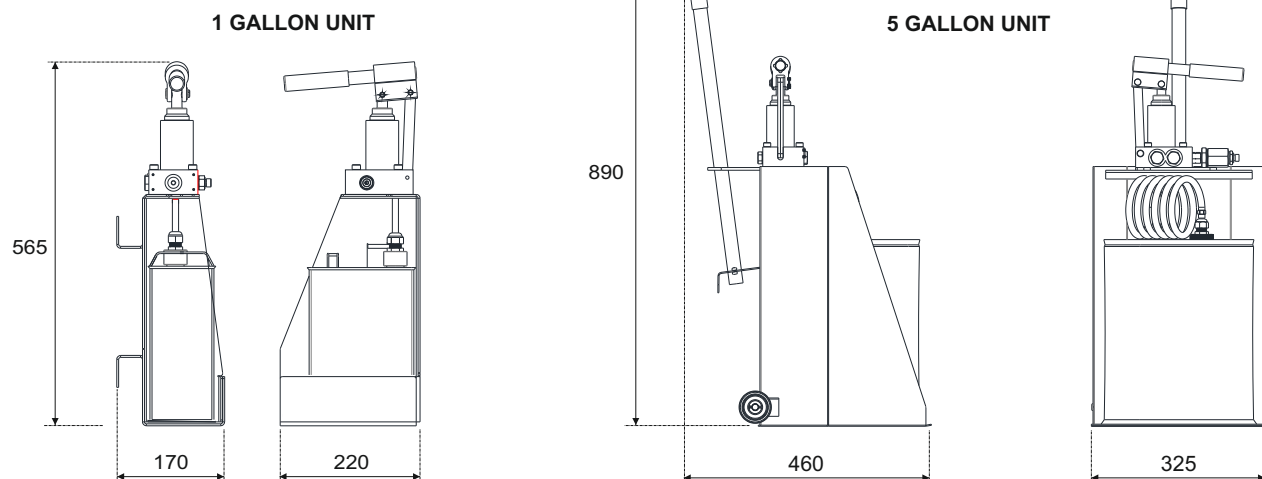
MAINTENANCE

Ensure the dip tube is kept clean during exchange of cans. The inlet and outlet check valves utilise replaceable seats and may be serviced by a competent person.

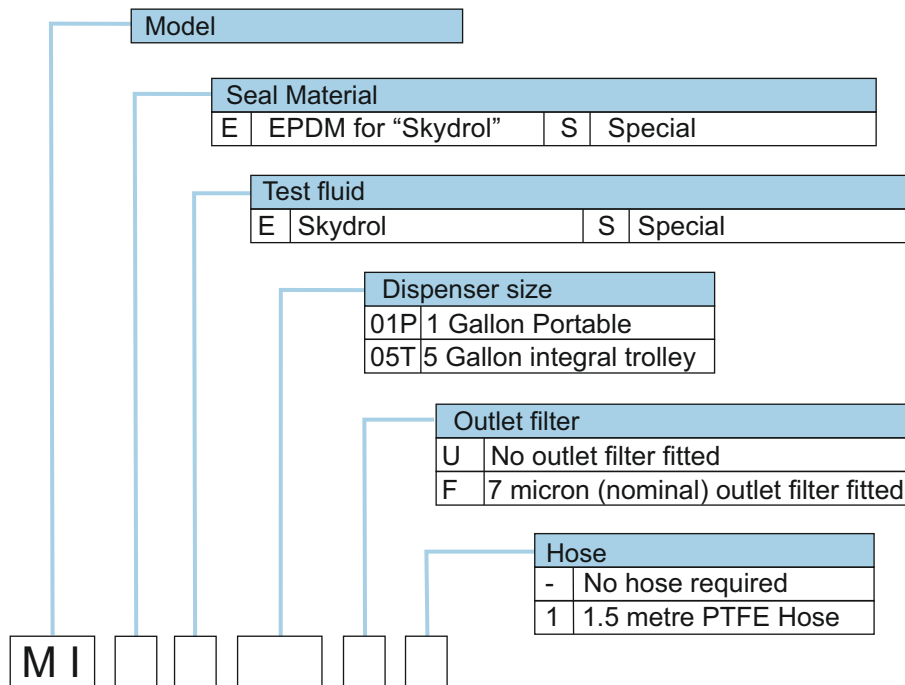
Service kits are available comprising all seals, seats, balls and springs.

DIMENSIONS

ALL DIMENSIONS IN mm - NOT TO SCALE
DELIVERY HOSE NOT SHOWN
WEIGHTS (EMPTY):
1 GALLON UNIT - 6kg, 5 GALLON UNIT - 15kg



ORDERING CODES



CE marking: this product is classified under 'Sound Engineering Practice' of the Pressure Equipment Directive (PED) 2014/68/EU. As such, it does not carry the CE marking.

Sarum Hydraulics are an ISO 9001:2015 registered company with over 35 years experience in design and manufacture of hydraulic equipment. Call us, email us or visit our website to find out more about our extensive product range. Enquiries are welcomed for bespoke solutions.

Other Micropac products - for the full range visit our website

- Single speed hand pumps to 1000 bar, alloy or 316 stainless
- Two speed hand pumps to 1000 bar, alloy or 316 stainless
- Fixed and portable reservoir range for above
- ATEX and carbon steel pump and reservoir options available
- Portable hand operated pressure test sets to 1000 bar, alloy or 316 stainless
- Hand pumps for 205l drum mounting, alloy or 316 stainless
- Hand operated charging and filling units
- Hand pumps for cartridge cavity mounting
- Hand pumps for Cetop 3 mounting
- Miniature hydraulic hand pumps with integral reservoir, alloy or 316 stainless
- Portable hand operated hydraulic jacking equipment
- Portable duo air operated - hand operated hydraulic test sets
- In-line hydraulic filters in 316 stainless

Sarum Hydraulics Limited
 Unit 1 Danebury Court, Salisbury, SP4 6EB, UK
 Tel: 44(0)1722 328388 Fax: 44(0)1722 414307
 email: pumpsales@sarum-hydraulics.co.uk
www.sarum-hydraulics.co.uk



SARUM
 HYDRAULICS
 Designers & Manufacturers of Micropac® Hydraulics

We invest heavily and continuously in product development.
 Specifications are therefore liable to change without prior notification.
 ©Micropac is a Registered Trade Mark of Sarum Hydraulics. E&OE.