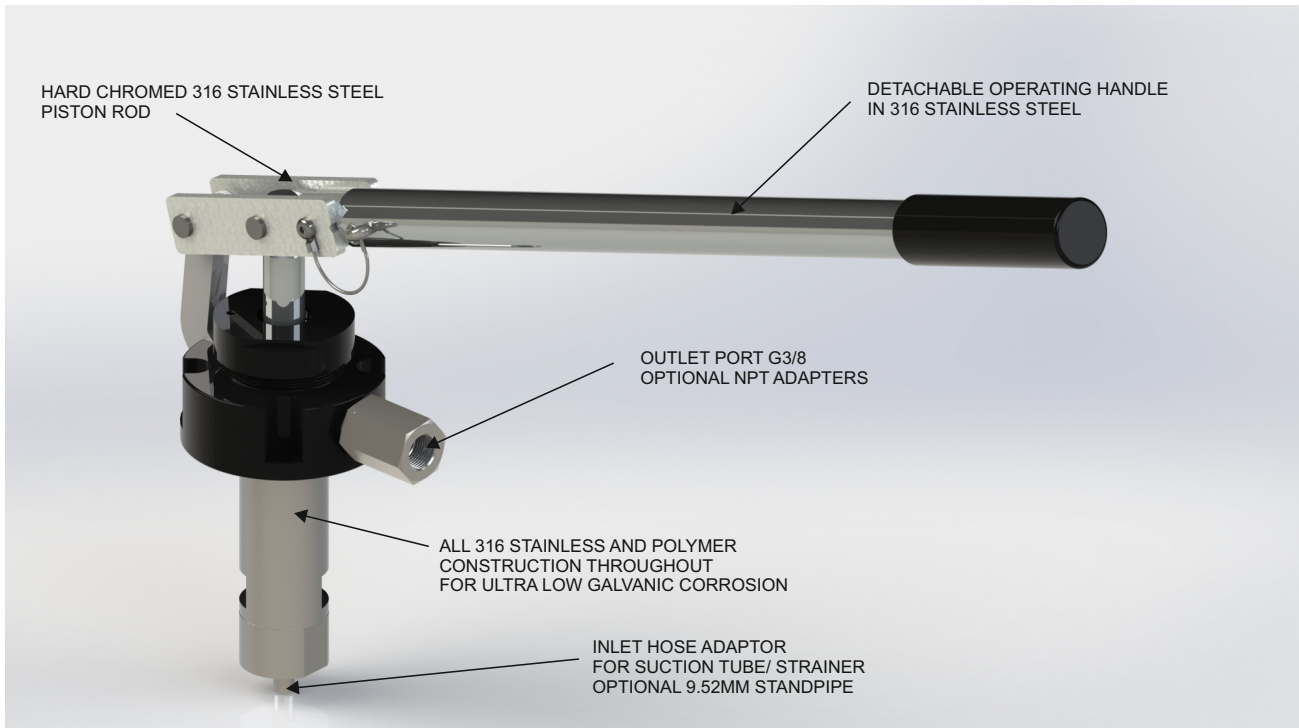




# Micropac 316 Stainless and Polymer Hydraulic Hand Pump

A quality engineered hand pump for long life and low corrosion



TYPICAL APPLICATIONS: ACTUATION, OVER-RIDES AND SHUTDOWN SYSTEMS, PRESSURE TESTING, FILLING AND CHARGING

## FEATURES

- Rugged construction with dirt excluder
- Oil, Water, Glycols and other fluids
- Suitable for extreme applications
- 316 stainless/and polymer for low corrosion
- Hard chrome plated 316 piston rod for long life
- Poppet outlet check valve for very low leakage
- Soft seat inlet and piston nrv's for reliability
- All valve seats replaceable for long service life
- PTFE wear strips for low friction
- No release or relief valves on this unit
- 316 single grade cuts galvanic corrosion
- Tank top mount or piped inlet
- 25cc/stroke to 205 bar
- Double acting - pumps on up and down stroke
- Optional fixed and portable reservoirs
- Nitrile seals standard - optional EPDM / Viton®
- Universal mounting orientation

# INSTALLATION & MAINTENANCE

## APPLICATION

The unit provides manual hydraulic power for a range of applications and on multiple fluids including glycols and skydrol. Because of our use of soft seat and poppet valves the unit is suitable for hydraulic fluids including low viscosity types such as water- in-oil emulsions and offshore control liquids. Standard seals are nitrile rubber. Consult factory for special seal requirements for other fluids, including Viton®, EPDM and specialist aerospace/process compounds.

Note this unit does not feature an integral release valve, relief valve or a gauge port. Use our MW series if this is a requirement.

The MU series is specifically used where only 316 stainless is acceptable rather than mixed materials.

## MATERIALS

The materials of construction are 316 stainless steel, and polymer. Seals are PTFE, UHMWP and nitrile.

## DISPLACEMENT

The unit is available in one displacement / pressure rating, of 25cc per double stroke to 207 bar.

## COMMISSIONING

Operate hand pump and pressurise to maximum pressure. Check for leaks in the system. Before pumping up to pressure, ensure there is a safe way of releasing the pressure.

## CONNECTIONS

The unit has a G3/8 female port on the outlet. Various male/male adaptors are offered. A 3/8NPT female outlet adaptor is also offered to special order. Consult the factory.

The inlet hose tail suits 9.52mm flexible tube. We can supply a 9.52 standpipe or 3/8NPT female inlet connection. Consult the factory.

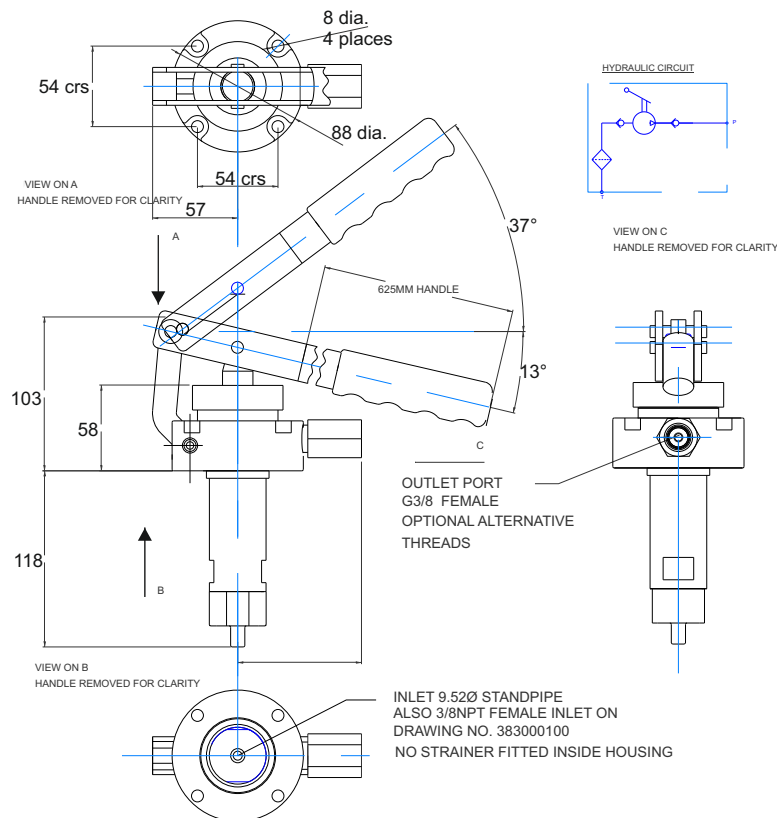
## MAINTENANCE

The inlet and outlet check valves are easily serviced and use replaceable seat, as does the piston nr. Service kits are available comprising all seals, seats balls and springs.

## SAFETY

This pump is a component forming part of a hydraulic pressure system. The system should be designed, operated and maintained in accordance with statutory requirements and other relevant instructions.

# DIMENSIONS



We are a long established ISO 9001 designer and manufacturer of hydraulic equipment. Full details of other products in our range are available from:

**Sarum Hydraulics Limited**  
Unit 1 Danebury Court, Salisbury SP4 6EB, UK  
Tel: 44(0)1722 328388 Fax: 44(0)1722 414307  
email: [pumpsales@sarum-hydraulics.co.uk](mailto:pumpsales@sarum-hydraulics.co.uk)  
[www.sarum-hydraulics.co.uk](http://www.sarum-hydraulics.co.uk)

We invest heavily and continuously in product development. Specifications are therefore liable to change without prior notification.  
®Micropac is a Registered Trade Mark of Sarum Hydraulics



**SARUM**  
HYDRAULICS  
Designers & Manufacturers of Micropac® Hydraulics



# ORDER SHEET FOR MICROPAC 316 SS/ POLYMER HAND PUMP

|   |                         |
|---|-------------------------|
| Model of Pump                             |                         |
| Materials of construction                 |                         |
| 3   | 316 Stainless           |
| See page 2 for full materials description |                         |
| Displacement                              |                         |
| 25  | 25cc / 207 BAR          |
| Handle                                    |                         |
| 4   | 450mm Short             |
| 6   | 625mm Long              |
| O   | No Handle               |
| Seal Material                             |                         |
| N   | Nitrile / Buna N        |
| V   | Viton                   |
| E   | EPDM                    |
| S   | Special                 |
| Test fluid                                |                         |
| W   | Water                   |
| O   | Oil                     |
| S   | Special                 |
| Inlet fitting                             |                         |
| T   | Tail for 10mm bore tube |
| S   | 9.52 standpipe          |
| N   | 3/8NPT female           |
| Outlet fitting                            |                         |
| G   | 3/8BSP female           |
| N   | 3/8NPT female           |

M U 3 25 [ ] [ ] [ ] [ ] [ ] [ ]

For special options, please consult factory.

**Sarum Hydraulics Limited**  
Unit 1 Danebury Court, Salisbury SP4 6EB, UK  
Tel: 44(0)1722 328388 Fax: 44(0)1722 414307  
email: [pumpsales@sarum-hydraulics.co.uk](mailto:pumpsales@sarum-hydraulics.co.uk)  
[www.sarum-hydraulics.co.uk](http://www.sarum-hydraulics.co.uk)