



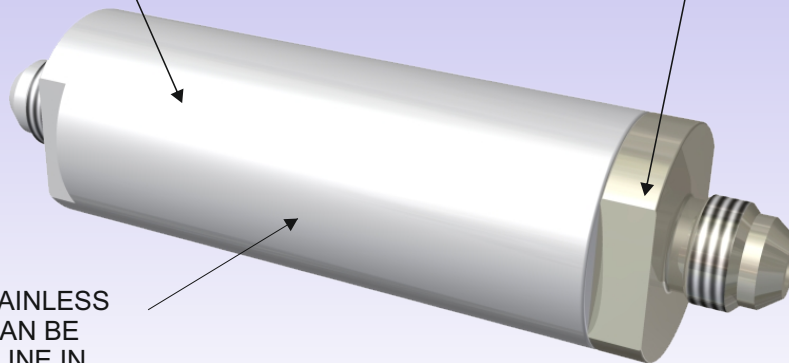
MX series Miniature In-line Filter Assembly

A compact high pressure filter assembly available in 316 stainless steel

-6JIC MALE OR G1/4
FEMALE INLET AND
OUTLET CONNECTIONS

END CAP FOR ACCESS
TO INDUSTRY STANDARD
AN SERIES FILTER
ELEMENT.
3 MICRON GLASS

316 1.4404 STAINLESS
BODY. UNIT CAN BE
MOUNTED INLINE IN
FLEXIBLE HOSE OR ON A
FIXED INSTALLATION



TYPICAL APPLICATIONS

LAST CHANCE FILTRATION ON LUBRICATION, FILLING AND OILING UNITS COST
EFFECTIVE STAINLESS FILTER FOR LOW FLOWS. NO CLOGGING INDICATOR
COMPACT IN LINE FILTRATION FOR HOSES

Stainless construction, 316/1.4404 housing
and 304/glass filter element

Easy disassembly for quick cleaning

Can be used on a range of fluids

Tough construction, two piece main body

3 micron glass filter element, optional 10 micron
paper.

Sarum Hydraulics Limited
Unit 1 Danebury Court, Salisbury SP4 6EB, UK
Tel: 44(0)1722 328388 Fax: 44(0)1722 414307
email: pumpsales@sarum-hydraulics.co.uk
www.sarum-hydraulics.co.uk

-6JIC male or G1/4 Female thread each end
for inlet and outlet.

400 bar working pressure

Adaptors available.

Inline for hoses or fixed mounting on job.

Industry standard AN6235 element size for
easy replacement anywhere in the world.

INSTALLATION & MAINTENANCE

APPLICATION

This filter is designed to be used for filtering the fluid entering a system from a hydraulic hand pump or similar low flow source. Dependent on the seal material selected, it can be used for filtering a wide range of fluids including hydraulic oil, water, kerosene and glycols. Consult the factory on phosphate esters ("skydrol").

The unit is two piece construction and can be used in-line for pipework/hoses or installed rigidly in a system. Maintenance is very simple, with the body simply splitting.

Note that the unit has neither a clogging indicator or a bypass valve, so application should be limited to small flow rates, limited contamination and be regularly maintained.

MATERIALS

The materials of construction are 316 for the body and 304 stainless steel for the 3 micron element. The 10 micron filter element materials are steel end caps and a resin impregnated paper element. Seals are nitrile or optional fluoro carbon. Consult the factory for EPDM seals.

CONNECTIONS

The unit has two JIC male connections or G1/4 female. Make connections to these ports using an appropriate hose or adapter. Consult factory if you wish to mix -6JIC and G1/4.

COMMISSIONING

The unit should be connected inline with the hydraulic system it is to be used on. All connections should be tight. The end cap on the unit should be screwed down solid after maintenance.

MAINTENANCE

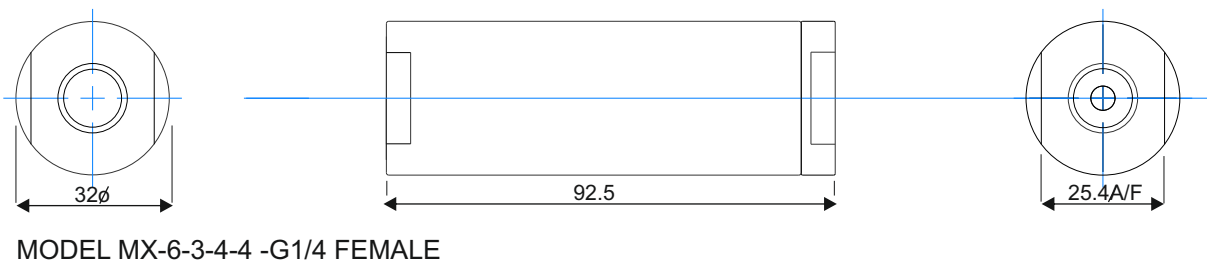
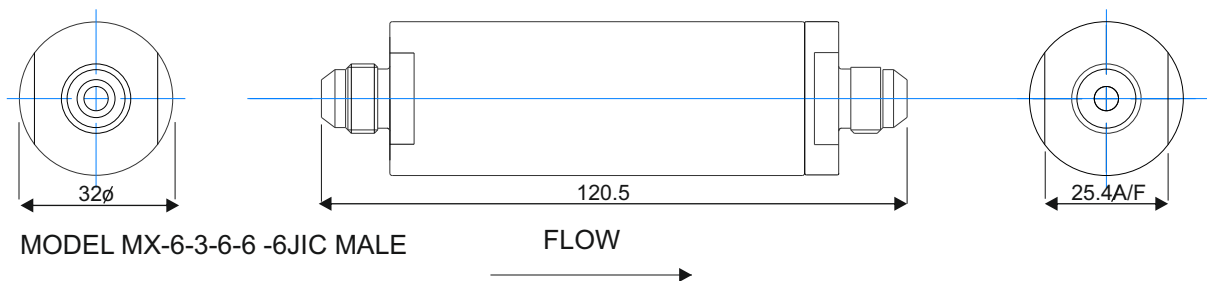
With continued use, the filter element will occasionally need to be removed and replaced. We suggest scheduling this within a planned maintenance timetable. The size is a standard AN6235-1A filter element available as 3 or 10 micron rating.

SAFETY

This filter is a component forming part of a hydraulic pressure system. The system should be designed, operated and maintained in accordance with statutory requirements and other relevant instructions.

DIMENSIONS

ALL DIMENSIONS IN mm- REQUEST INSTALLATION DRAWINGS FOR FULL DIMENSIONS



We are long established ISO 9001 designer and manufacturer of hydraulic equipment. Full details of other products in our range are available from:

Sarum Hydraulics Limited
Unit 1 Danebury Court, Salisbury SP4 6EB, UK
Tel: 44(0)1722 328388 Fax: 44(0)1722 414307
email: pumpsales@sarum-hydraulics.co.uk
www.sarum-hydraulics.co.uk

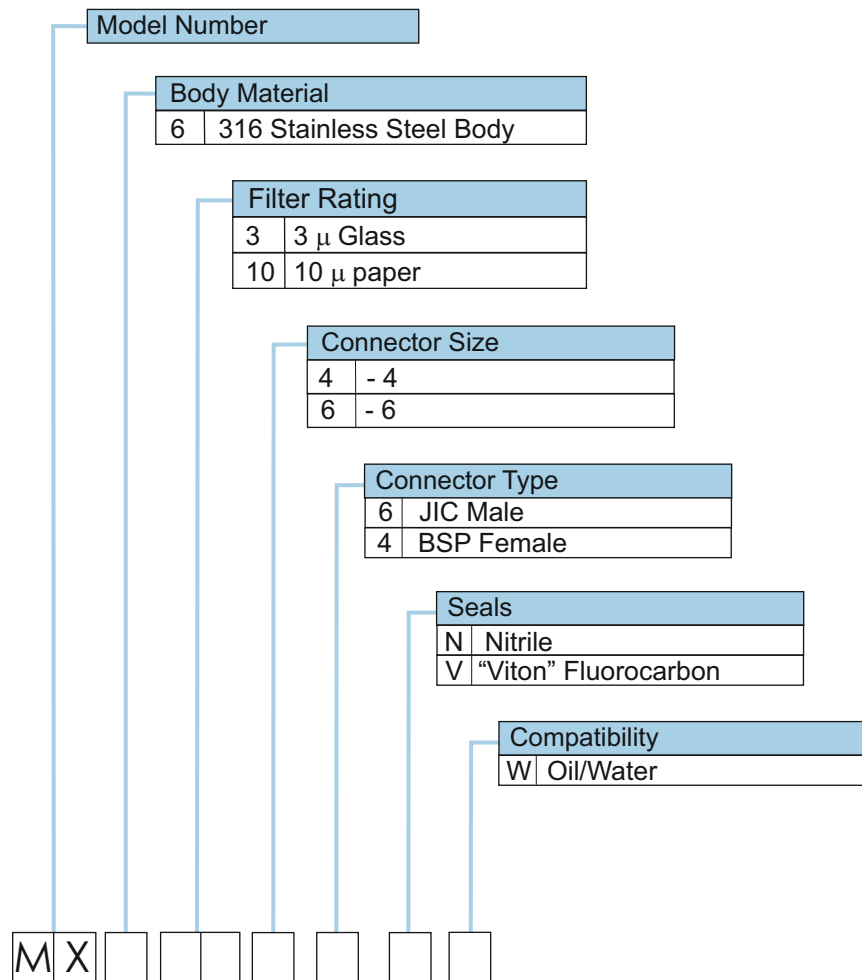
We invest heavily and continuously in product development. Specifications are therefore liable to change without prior notification.
©Micropac is a Registered Trade Mark of Sarum Hydraulics



SARUM
HYDRAULICS
Designers & Manufacturers of Micropac® Hydraulics



ORDERING CODES FOR MX SERIES STAINLESS FILTER UNIT.



A variety of adapters are available.
Please contact the factory for more
information.

Sarum Hydraulics Limited
Unit 1 Danebury Court, Salisbury SP4 6EB, UK
Tel: 44(0)1722 328388 Fax: 44(0)1722 414307
email: pumpsales@sarum-hydraulics.co.uk
www.sarum-hydraulics.co.uk