



# Fixed & Portable Reservoirs for Micropac MD & MW hand pumps



## FEATURES

- Reservoirs for fixed and portable applications
- Anodised aluminium alloy or 316 stainless steel
- Robust; portable units feature sturdy footplate
- Welded construction using high grade materials
- Fixed reservoirs available for 2.5L-50L capacity
- Portable reservoirs available for 5L-50L capacity
- Readily accessible filler cap with breather
- Pressurised filler/ breather cap optional
- 2 wheel trolley option for 316 portable reservoirs
- Hose storage brackets on 2 wheel trolley option
- Hexagon drain plug on all 316 reservoirs
- 'Trough' 8L reservoir for rapid filling/ emptying
- 'Ergo' 316 range suitable for fixed/portable use
- Optional filler dipstick or level indicator gauge
- Quality British manufacture - 3 year warranty
- Factory support for product and application
- Enquires welcomed for special requirements
- Contact us for ATEX and IECEx applications

# INSTALLATION & MAINTENANCE

## APPLICATION

These reservoirs are compatible with the Micropac MW and MD series hand pumps. If a pump and reservoir are ordered together, they will usually be supplied assembled and ready for use.

Fixed application reservoirs are designed for mounting onto a firm flat surface. The surface and fixings (not supplied) must be capable of withstanding handle loads at maximum desired pumping pressure (see pump datasheet for details). Reservoirs for portable applications are suitable for use on even terrain. The 8 litre portable trough type reservoir is only suitable for low pressure applications.

All reservoirs vent to atmosphere and as such are not classified as pressure vessels.

## MATERIALS

The materials of construction are either 316L stainless steel or anodised aluminium alloy depending on the model ordered. Stainless steel is recommended for corrosive environments or media.

## SAFETY

When used with our hand pump, this unit is a component forming part of a hydraulic pressure system. If forming part of a permanent installation, the system should be designed, operated and maintained in accordance with statutory requirements and other relevant instructions. A risk assessment covering safe installation, operation and maintenance should always be carried out prior to use. This product is classified under 'Sound Engineering Practice' of the Pressure Equipment Directive (PED) 2014/68/EU. As such, it does not carry the CE marking.

## INSTALLATION

The reservoir top plate has cut outs for the pump barrel, relief and release drain ports and four M8 tapped holes for pump mounting. Cut the pump dip tube and filter assembly so that the filter end touches the reservoir base. Push the tube onto the barbed pump inlet. Locate the mounting

gasket supplied with the pump onto the reservoir top plate such that the release/relief valve drain holes align. No jointing compound should be used. Lower the pump into position and secure using the 4 x M8 x 65 long socket head cap screws supplied, tightening evenly to effect a good seal.

Fixed reservoirs; refer to dimensions section. Mounting surface to be smooth and flat and able to withstand pump operating loads. Also consider ergonomics of pump handle operation (refer to pump datasheet). Mount the reservoir using the mounting holes provided, fixing size to suit hole diameter. Fixing holes can be pre-drilled & tapped according to dimensions provided, or the reservoir may be used as a template if being mounted in-situ.

Portable reservoirs; ensure that the ground is level and flat, in order that there is no danger of the unit tipping over or slipping.

## COMMISSIONING

Follow commissioning instructions for pump and check fluid compatibility. The reservoir may be filled by unscrewing the filler cap and topping up to desired level with clean fluid; do not over fill. Where fitted, use the dipstick or level gauge to determine fluid level. Always refit filler cap after top up.

## MAINTENANCE

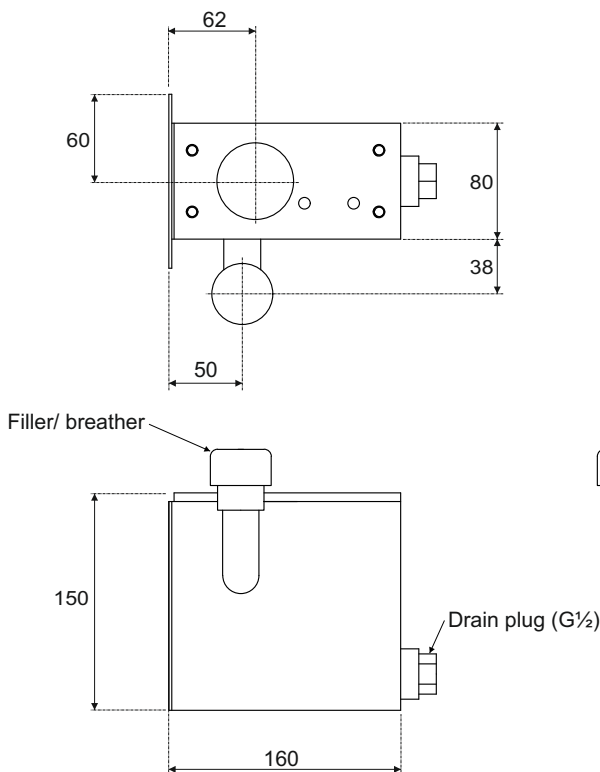
The choice of materials ensures that the reservoirs are very durable, both in respect of corrosion resistance and mechanical damage.

The pump inlet strainer should be checked periodically for fouling.

To drain the reservoir, remove the hexagon plug at the reservoir base (where fitted). A new copper sealing washer should be used when refitting plug. The reservoir may also be drained and cleaned out by removing the pump, allowing access through the pump barrel hole.

If using aqueous media, ensure that the reservoir is protected from low temperatures to prevent against risk of freezing.

# DIMENSIONS



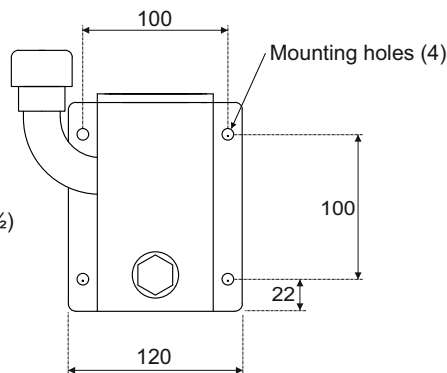
## 1 LITRE FIXED - 316 STAINLESS STEEL

Suitable for vertical mounting (as shown)

Use 8mm dia. fixing screws

All dimensions in mm - not to scale

Weight (empty): 3kg



# DIMENSIONS

## 2.5 LITRE & 5 LITRE FIXED ANODISED ALUMINIUM ALLOY OR 316 STAINLESS STEEL

Suitable for vertical and horizontal mounting

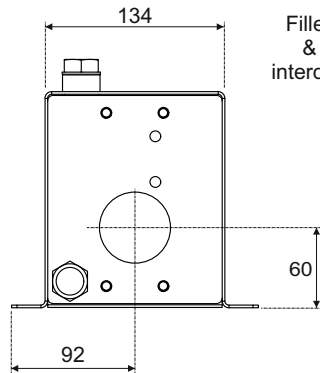
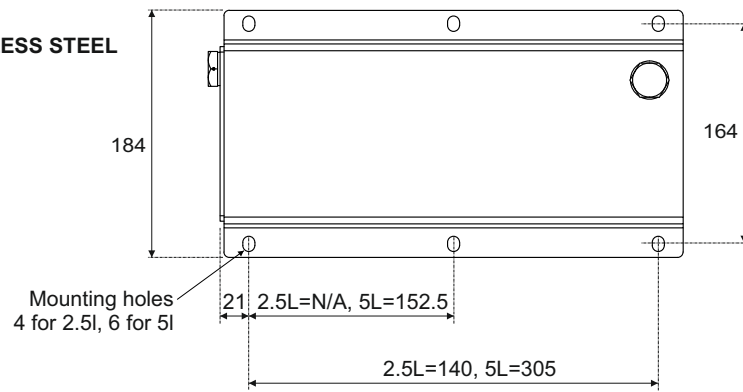
Use 8mm dia. fixing screws

All dimensions in mm - not to scale

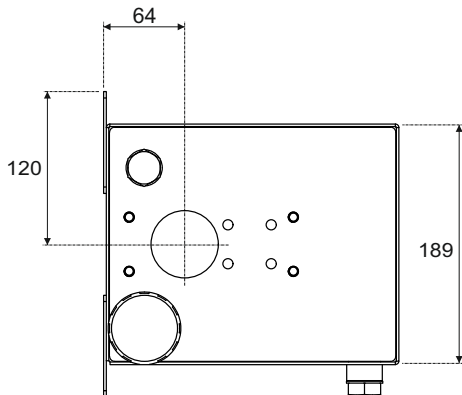
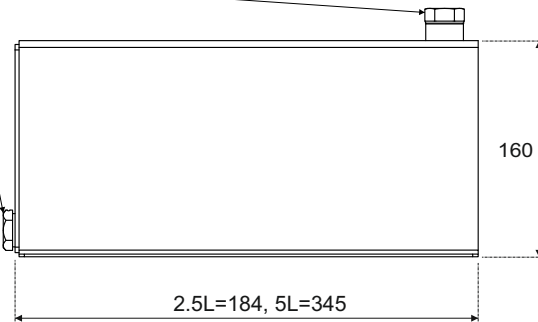
Weight (empty):

Aluminium alloy - 2.5L=1.25kg, 5L=1.8kg

Stainless steel - 2.5L=3kg, 5L=4.5kg



Filler/ breather  
& drain plug-  
interchangeable  
(G $\frac{1}{2}$ )



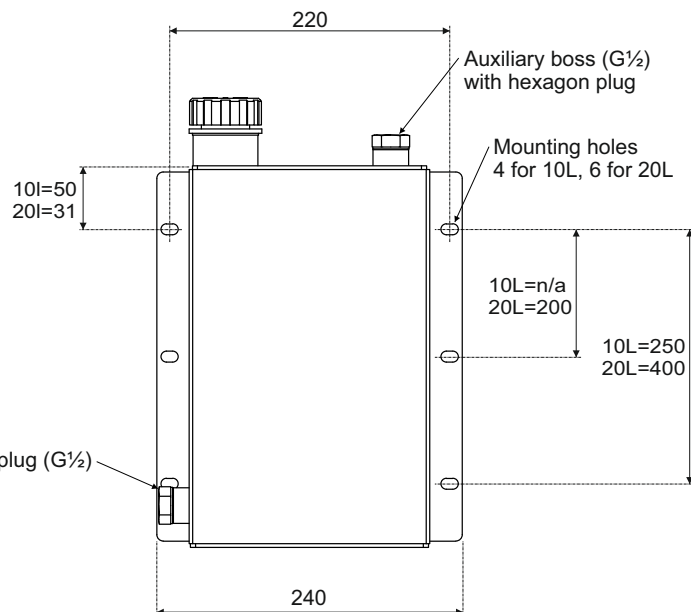
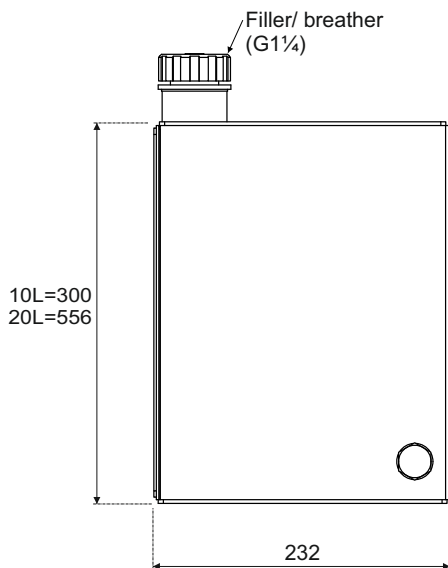
## 10 LITRE & 20 LITRE FIXED 316 STAINLESS STEEL

Suitable for vertical mounting (as shown)

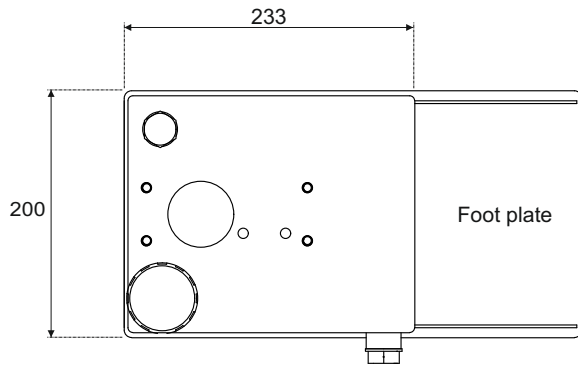
Use 8mm dia. fixing screws

All dimensions in mm - not to scale

Weight (empty): 10L=8kg, 20L=12kg



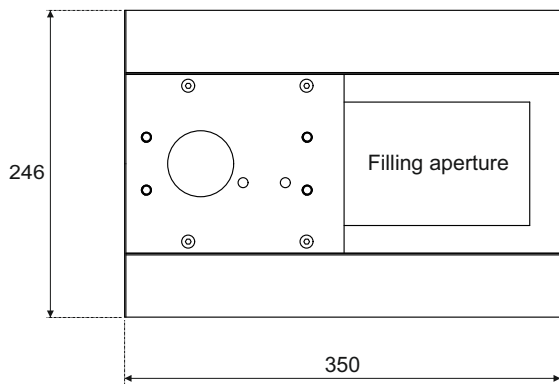
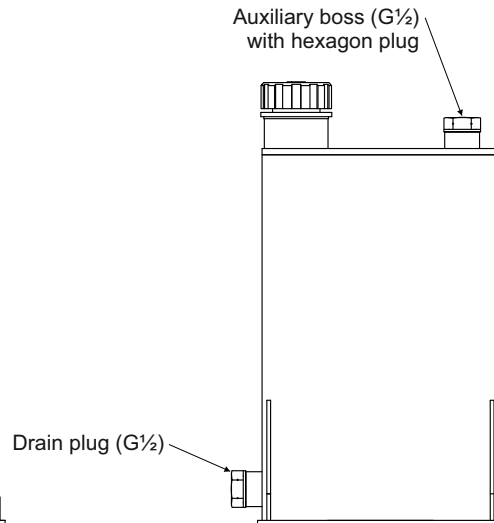
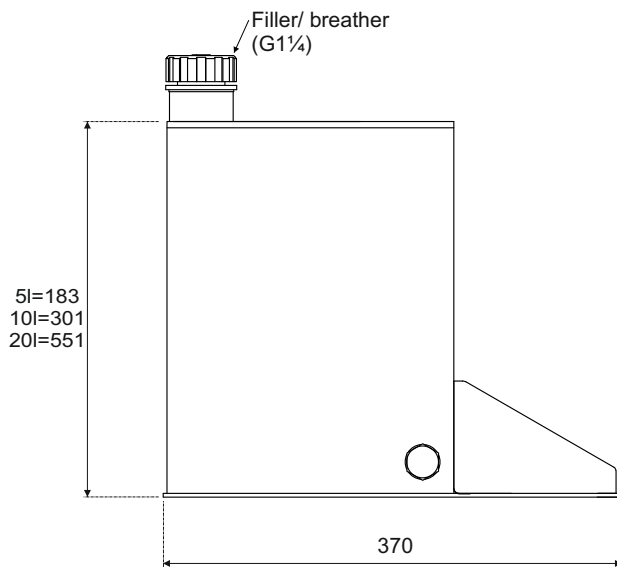
# DIMENSIONS



## 5 LITRE, 10 LITRE & 20 LITRE PORTABLE ANODISED ALUMINIUM ALLOY OR 316 STAINLESS STEEL

All dimensions in mm - not to scale

Weight (empty):  
 Anodised aluminium: 5L=2.7kg, 10L=3.2kg, 20L=4.2kg  
 Stainless steel: 5L=6.5kg, 10L=8kg, 20L=12kg



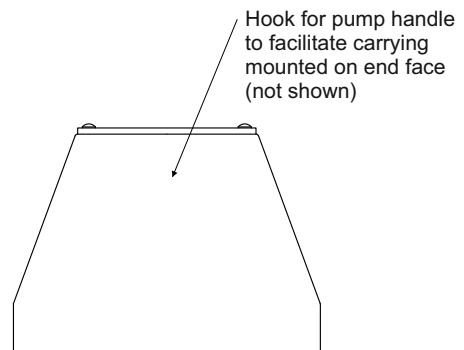
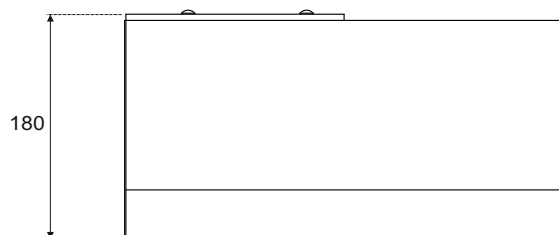
## 8 LITRE 'TROUGH' QUICK-FILL PORTABLE 316 STAINLESS STEEL

Suitable for vertical mounting (as shown)

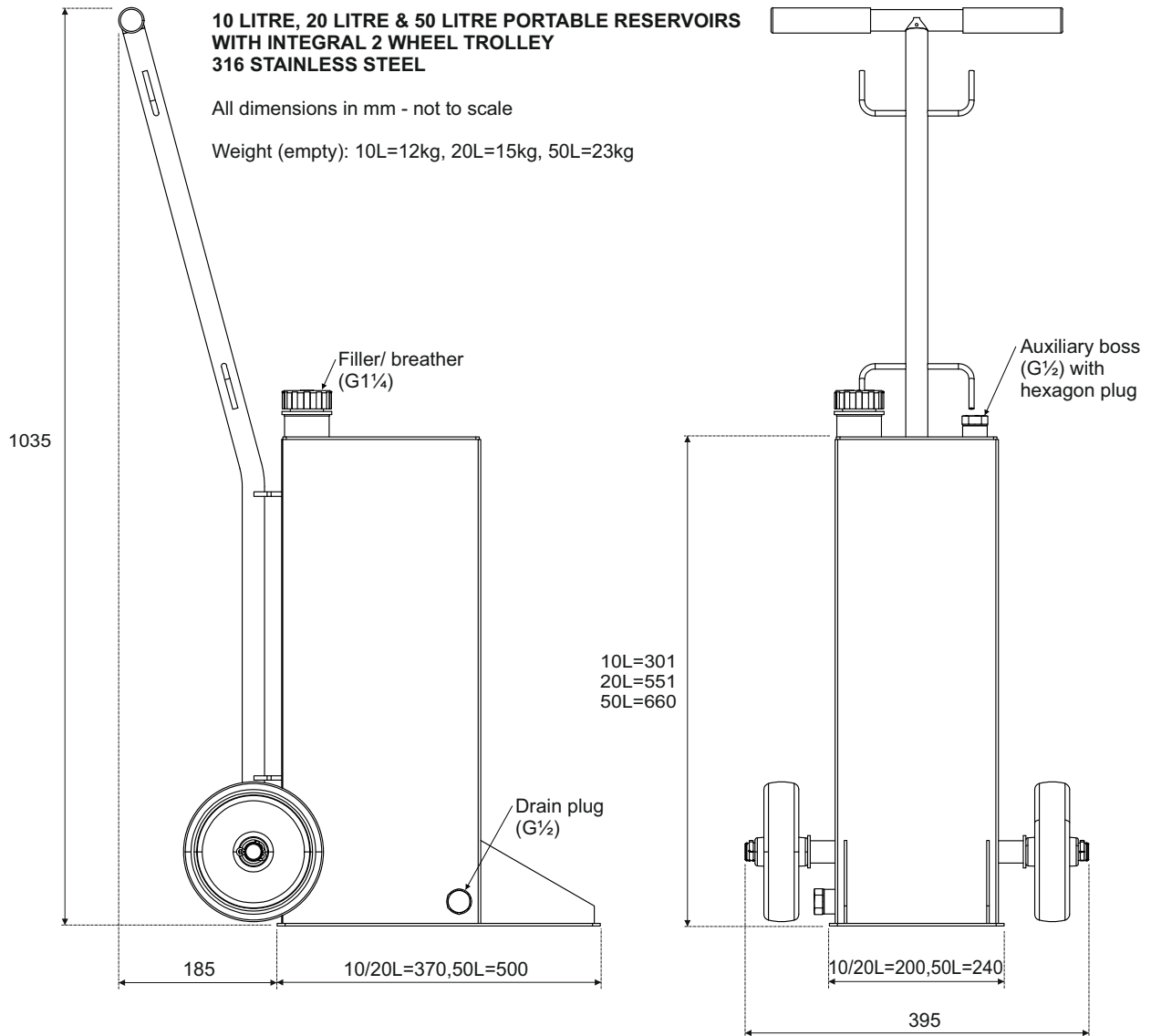
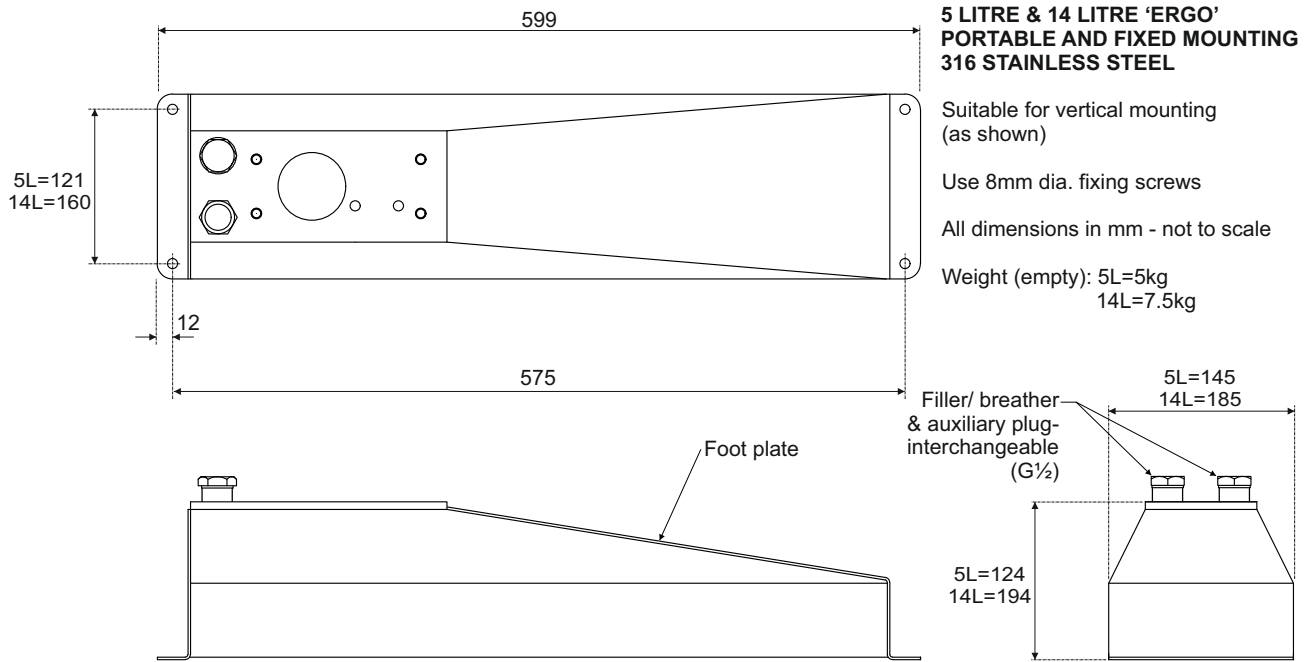
Use 8mm dia. fixing screws

All dimensions in mm - not to scale

Weight (empty): 5kg



# DIMENSIONS



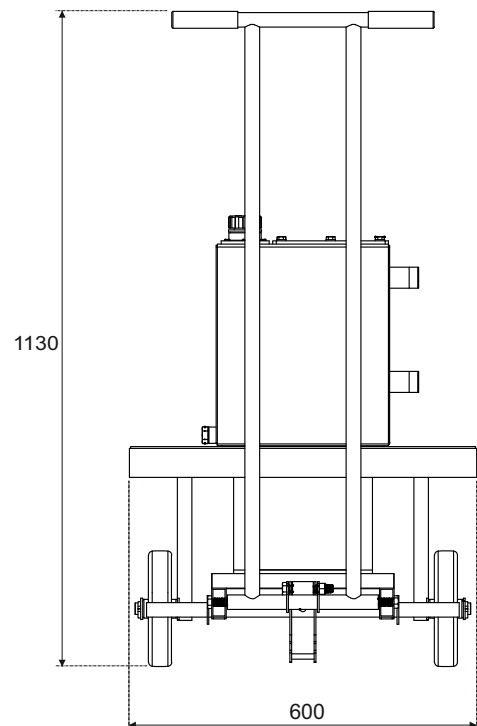
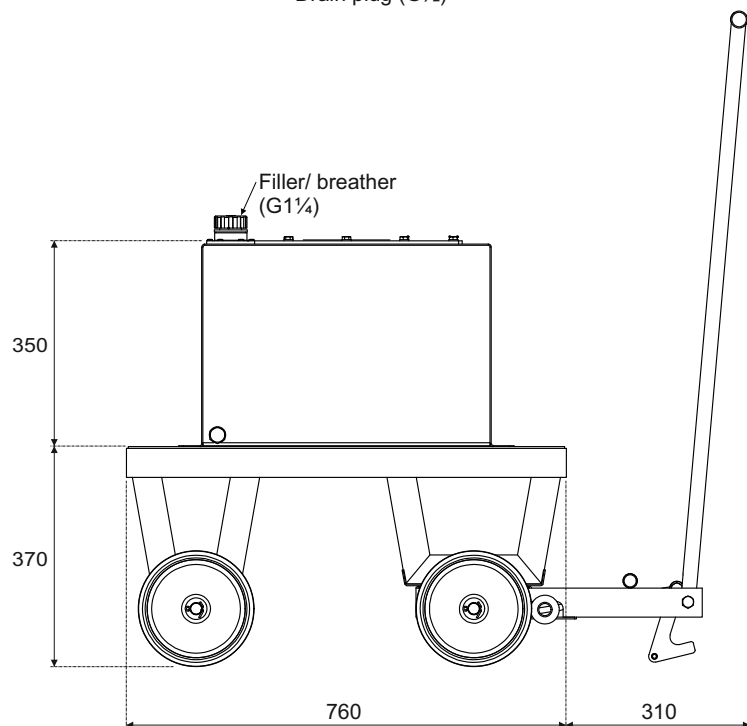
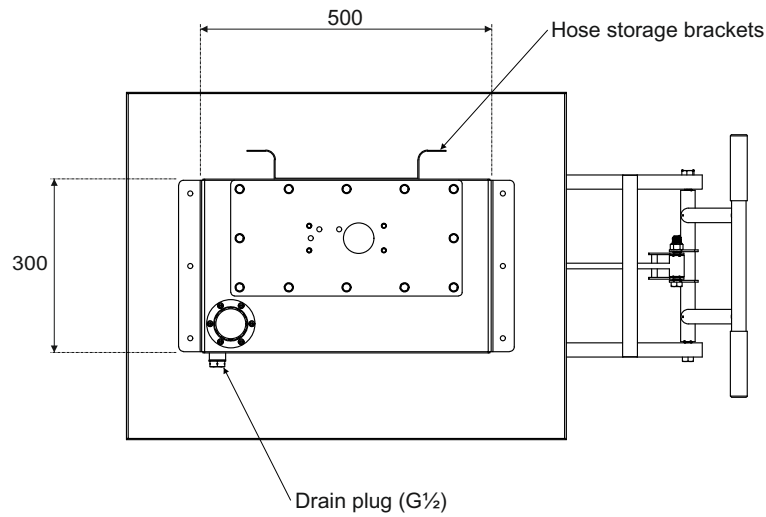
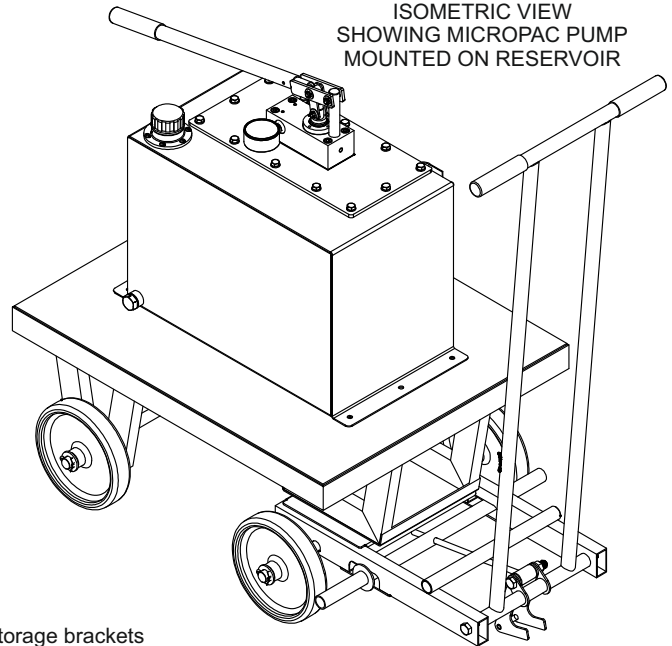
# DIMENSIONS

**50 LITRE RESERVOIR MOUNTED ON  
BRAKED 4 WHEEL TURNTABLE TROLLEY  
316 STAINLESS STEEL RESERVOIR & TROLLEY FRAME  
POLYPROPYLENE WHEELS, RUBBER TYRES**

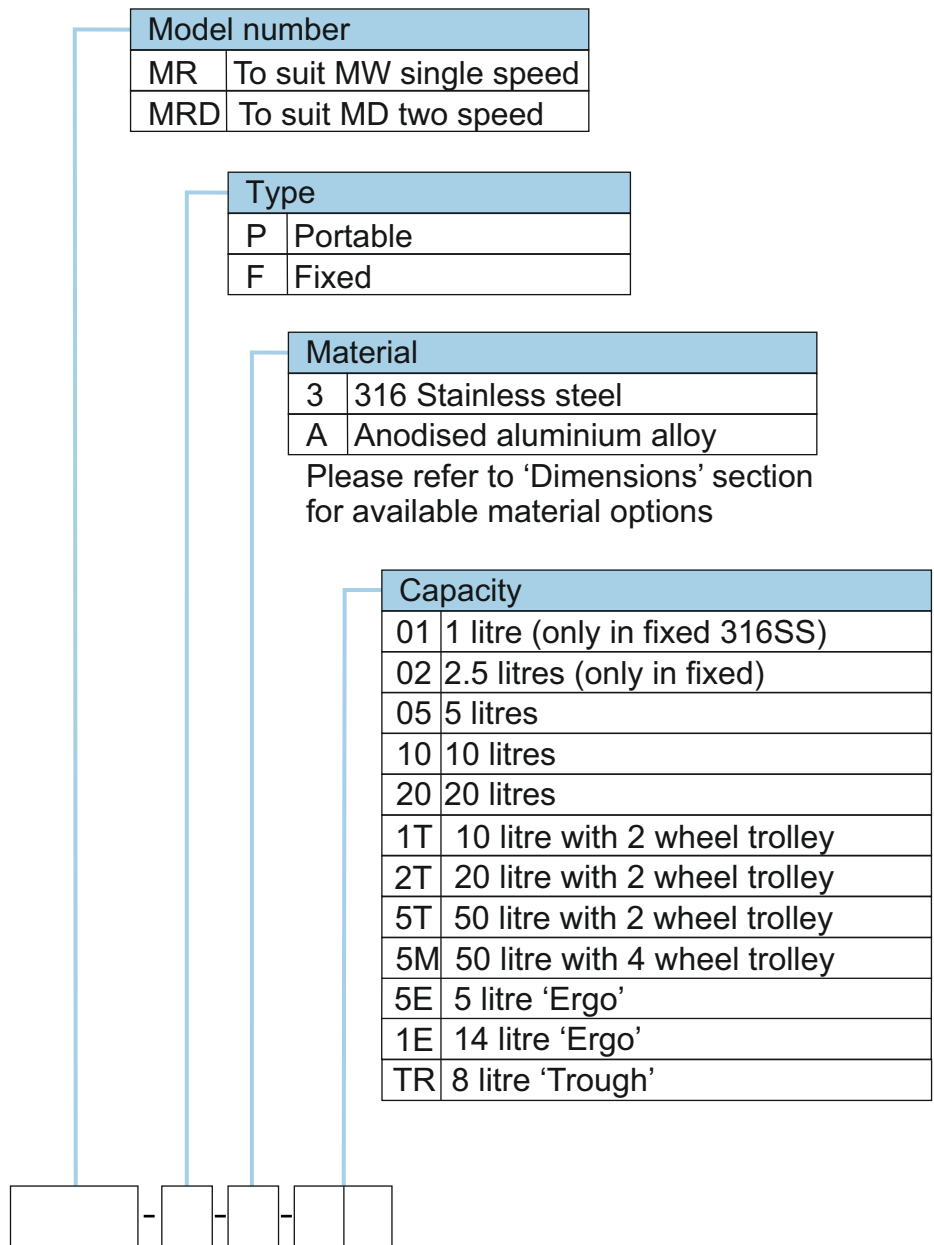
All dimensions in mm - not to scale

Weight (empty): 40kg

ISOMETRIC VIEW  
SHOWING MICROPAC PUMP  
MOUNTED ON RESERVOIR



# ORDERING CODES



**CE marking:** this product is not within the scope of The Machinery Directive 2006/42/EC or any other relevant Directive. As such, it does not carry the CE marking.

**Sarum Hydraulics** are an ISO 9001:2015 registered company with over 35 years experience in design and manufacture of hydraulic equipment. Call us, email us or visit our website to find out more about our extensive product range. Enquiries are welcomed for bespoke solutions.

**Sarum Hydraulics Limited**  
 Unit 1 Danebury Court, Salisbury, SP4 6EB, UK  
 Tel: 44(0)1722 328388 Fax: 44(0)1722 414307  
 email: pumpsales@sarum-hydraulics.co.uk  
 www.sarum-hydraulics.co.uk



**SARUM**  
 HYDRAULICS  
 Designers & Manufacturers of Micropac® Hydraulics

We invest heavily and continuously in product development.  
 Specifications are therefore liable to change without prior notification.  
 ©Micropac is a Registered Trade Mark of Sarum Hydraulics. E&OE.