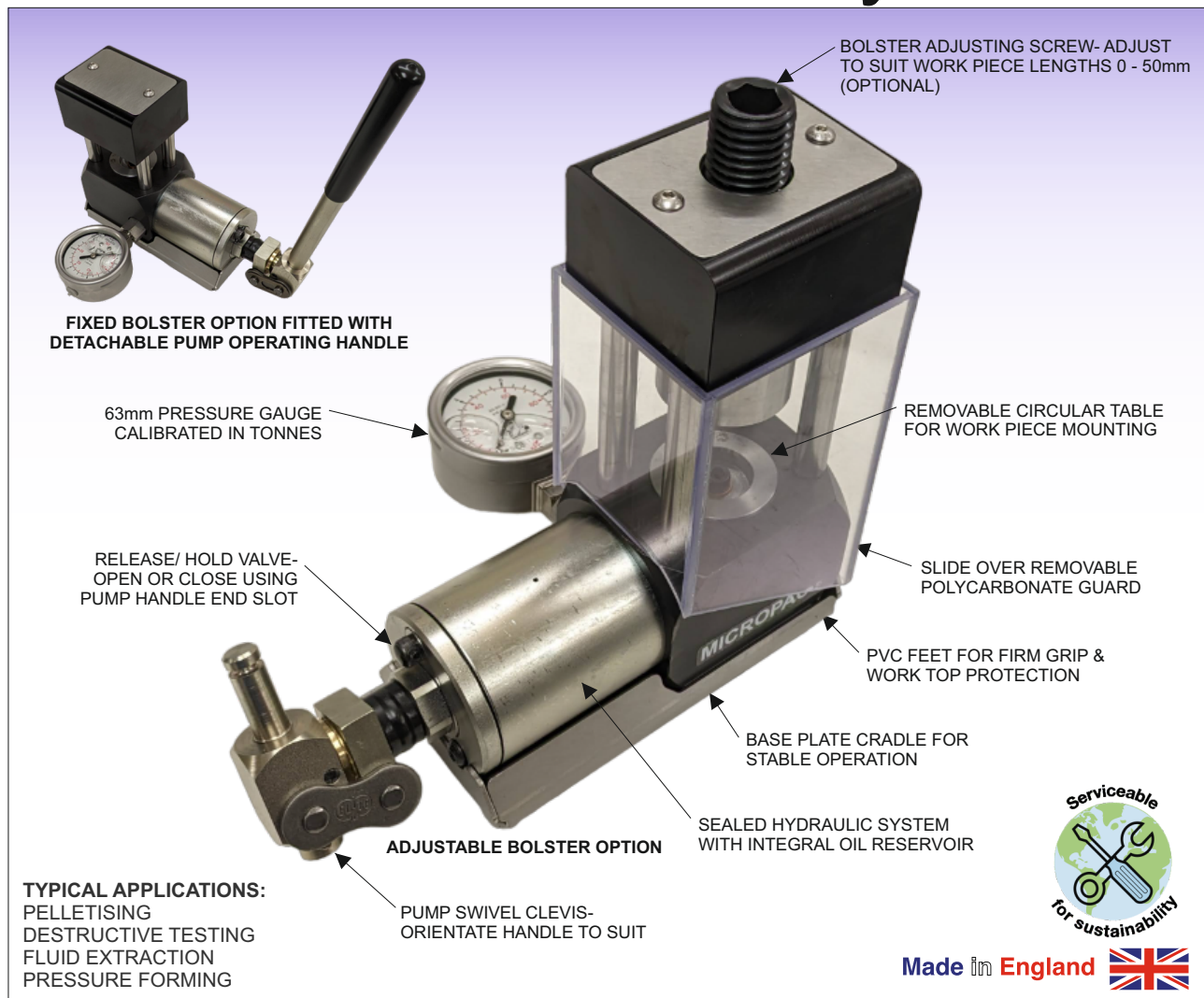




Micropac® MLP 10 Tonne Laboratory Press



Quality portable manual hydraulic press FEATURES

- Portable and compact bench mounted unit
- Manual hydraulic operation up to 10 tonnes
- Removable clear polycarbonate guarding sleeve
- 360° viewing; front & rear access to work table
- Integral hand pump with sealed hydraulic system
- Sturdy construction- robust base plate & cradle
- PVC feet; firm non-marking grip on work surface
- Positive pressure holding with quick release valve
- Optional 63mm pressure gauge (tonnes/ kN)
- User serviceable sealing & seating components
- Operating handle can be orientated to suit
- Accommodates work pieces up to 32mm long
- Optional adjustable bolster range 0-50mm
- Maximum hydraulic table movement of 38mm
- Reliable- British design & manufacture
- Factory support for user applications and service

INSTALLATION & MAINTENANCE

APPLICATION

This equipment is only suitable for use in a dry environment. The press is suitable for bench mounting and has rubber feet that may be adjusted for level operation. Alternatively, the unit may be secured to a bench top.

The work piece is mounted on a circular table within the guarded area. Guarding is provided by a removable slide-over clear polycarbonate sleeve. An optional adjustable screw bolster overhead has up to 50mm movement, in order to take up pre-load distance.

The hydraulic hand pump is connected to a piston underneath the work piece table. When the pressure release valve is closed and the hand pump is operated, the table moves upwards and compresses the work piece against the bolster overhead, with a maximum stroke of 38mm. A pressure gauge calibrated in tonnes/kN shows force applied to the work piece. Pressure may be held and maintained as required; pressure is released through the release valve by detaching the pump operating handle, locating the end onto the valve spindle and cranking it anticlockwise.

Pumping operation is single acting; pressure is applied on the forward stroke. The operating handle swivels and may be rotated to suit operator comfort.

SAFETY

Since this is a manually operated press, there is no safety interlock on guarding. **The guarding sleeve should always be in position before operating the press.**

A risk assessment covering safe installation, operation and maintenance should always be carried out prior to use.

The unit satisfies the essential health & safety requirements of both the Machinery Directive 2006/42/EC and the UK Supply of Machinery (Safety) Regulations 2008.

Article 4 paragraph 3 of the Pressure Equipment Directive (PED) 2014/68/EU applies; the equipment is manufactured under sound engineering practice and therefore meets the requirements of both the PED 2014/68/EU and the UK Pressure Equipment Regulations 2016.

INSTALLATION

Mount the unit on a flat surface suitable for supporting weight and pump operating handle forces. If in doubt about stability or movement of the press during operation, secure it to the work surface using the 4 mounting holes provided, using suitable fixings (not supplied).

OPERATION

With hydraulic pressure released and table in rest position remove guard by lifting up and over bolster.

Units with non-adjustable bolster: mount work piece in position centrally onto work table. Refit guard.

Units with adjustable bolster: unscrew bolster, raising it sufficiently to allow work piece to be mounted in position centrally on table. Refit guard and screw bolster downwards to take up pre-load distance.

Detach pump handle and locate end onto release valve; rotate clockwise to close valve. Relocate operating handle onto clevis spigot and operate hand pump. Observe pressure gauge to achieve desired force applied to work piece. The pressure gauge is calibrated in tonnes. Do not exceed 10 tonnes force.

Force is maintained, where applicable, until such time that hydraulic pressure is released. To release pressure, detach pump operating handle, locate end onto valve spindle and rotate anticlockwise to crack valve open and release pressure. Allow table to return to rest position before closing valve again.

Removal of work piece is a reversal of mounting.

MAINTENANCE

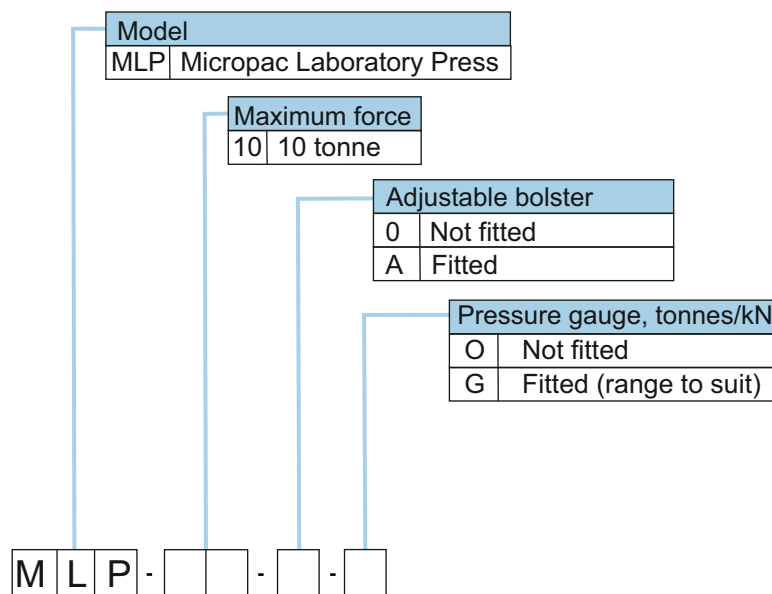
Maintenance operations should only be carried out by a competent service engineer.

Service kits are available comprising all seals, seats, balls and springs.

The hydraulic system is sealed and should not need any topping up.

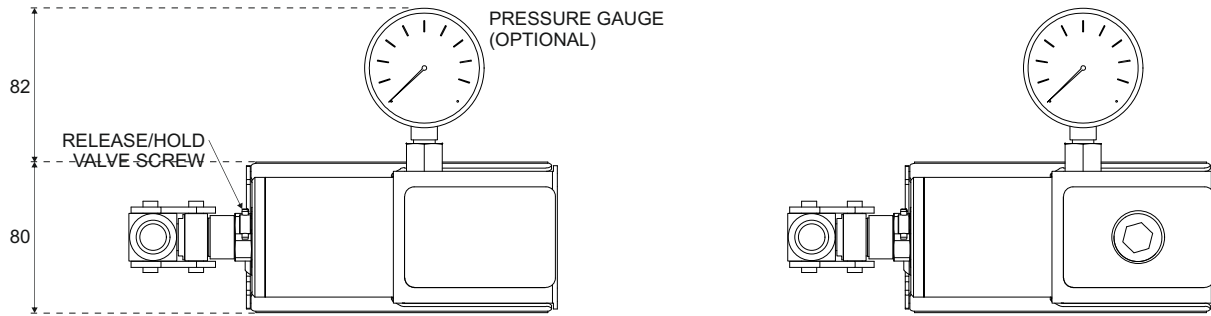
Sarum Hydraulics Ltd also offer a servicing facility; please advise before returning the unit to us.

ORDERING CODES

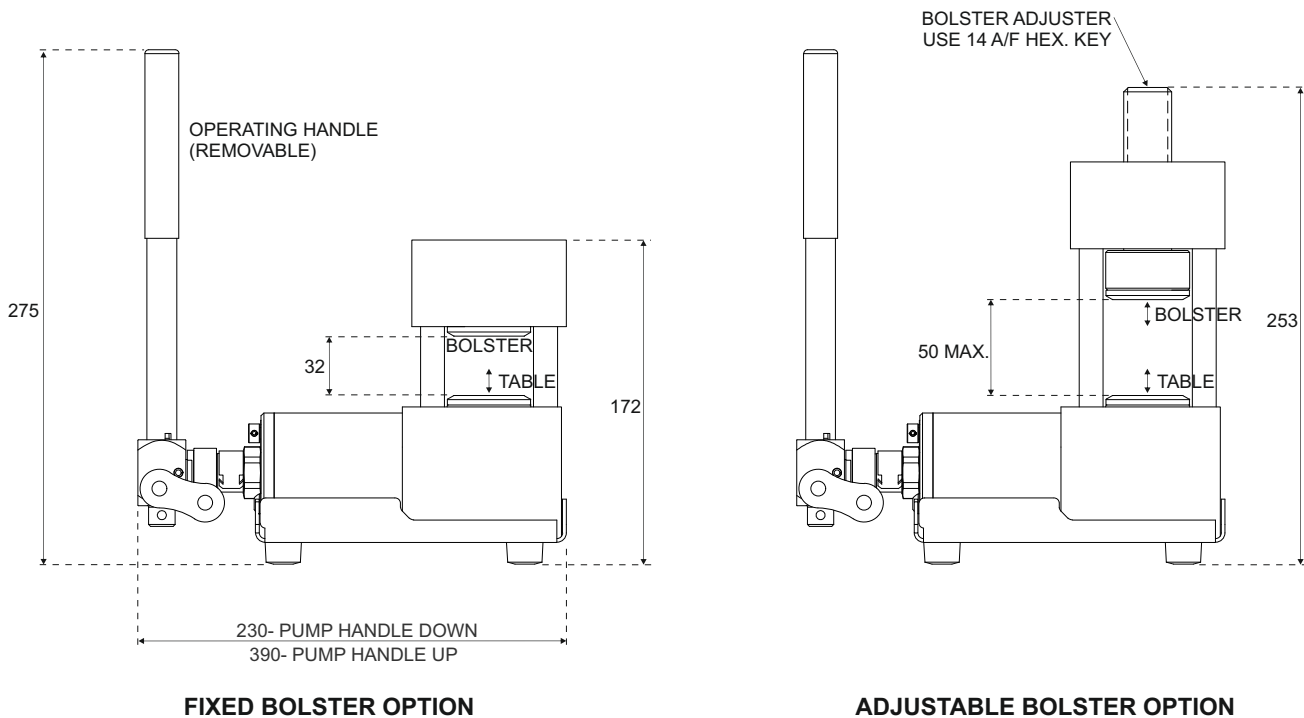


DIMENSIONS

ALL DIMENSIONS IN mm



NOTE: SLIDE OVER GUARD FITTED FROM TOP IS SHOWN REMOVED



SPECIFICATIONS

- Maximum force: 10 tonnes
- Maximum table movement (hydraulic stroke): 32mm (non-adjustable bolster); 38mm (adjustable bolster)
- Adjustable bolster option: screw adjustment to suit work piece lengths 0-50mm
- Nom. operating hand load at max. force: 230N
- Ambient operating temperature range: -20 to 40°C
- Weight: 5.4kg (non-adjustable bolster); 5.5kg (adjustable bolster)

We are a long established ISO 9001:2015 certificated designer and manufacturer of hydraulic equipment. Full details of other products in our range are available from:

Sarum Hydraulics Limited
 Unit 1 Danebury Court, Salisbury, SP4 6EB, UK
 Tel: 44(0)1722 328388 Fax: 44(0)1722 414307
 email: pumpsales@sarum-hydraulics.co.uk
 www.sarum-hydraulics.co.uk

We invest heavily and continuously in product development. Specifications are therefore liable to change without prior notification.
 ®Micropac is a Registered Trade Mark of Sarum Hydraulics



SARUM
 HYDRAULICS
 Designers & Manufacturers of Micropac® Hydraulics