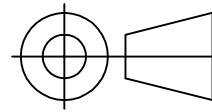
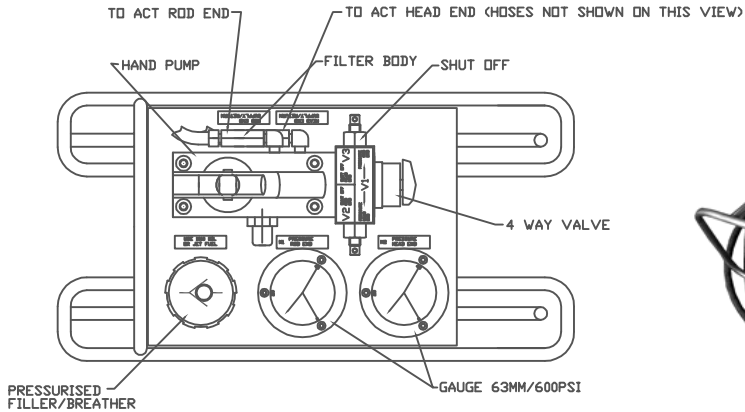


IF IN DOUBT, ASK THIRD ANGLE PROJECTION



TOLERANCES UNLESS OTHERWISE STATED
 GENERAL TOLERANCES RIGHT ANGLE BENDS &
 NO DEC. PLACE +/-1.0mm OTHER ANGLES +/-1°
 ONE DEC. PLACE +/-0.3mm MACHINED DIAMETERS
 TWO DEC. PLACE +/-0.1mm CONCENTRIC WITHIN
 +/-0.1mm T.I.R.
 SCREW THREADS ARE ISO METRIC COARSE PITCH
 TOL. 6g/6H (MED. FIT) TO BS3643
 WIRE DIA./PLATE THICKNESS TO COMMERCIAL LIMITS
 GEOMETRICAL TOLERANCING TO BS308 PART 3



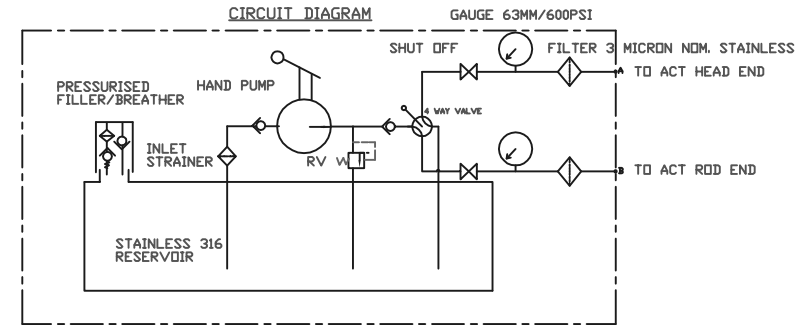
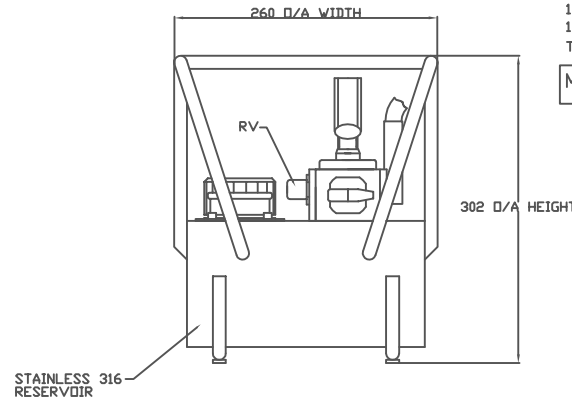
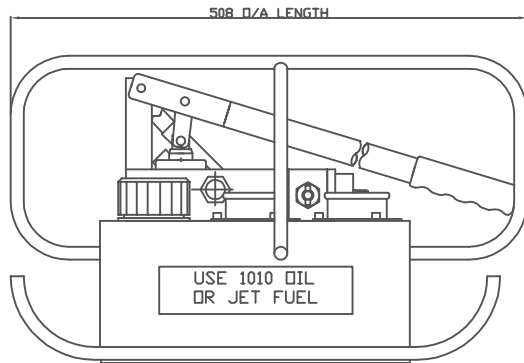
NOTES

1. MATERIALS OF CONSTRUCTION
 BRONZE CW307G
 STAINLESS STEEL 316, 303, 304, 302, 431, 420
 ALUMINIUM ALLOY 6082T6 ANODISED
 HOSE FITTINGS AND SNAPTITE CONNECTORS- PLATED CARBON STEEL (OPTIONAL STAINLESS)
 PUMP HANDLE MECHANISM PLATED CARBON STEEL
 NYLON, ACETAL, PVC
 SEALS: NITRILE, VITON, FILLED PTFE, PTFE, UHMWP
2. MASS 10 KG APPROX
3. WORKING PRESSURE 40 BAR
4. DIMENSIONS IN mm
5. UNIT TESTED ON KEROSENE
6. UNIT USES STANDARD SARUM HYDRAULICS "MICROPAC" HYDRAULIC HAND PUMP
 FITTED INTEGRAL SHUT OFF MANIFOLD, RELIEF VALVE AND 4 WAY VALVE

7. THE BASE UNIT OUR 151001900 IS COMMON TO 856A1084 & 2C6395 EQUIVALENTS
 THIS P/N 151001900 EXCLUDES THE 108 INCH HOSES + FEMALE COUPLERS
 OUR P/N 151001700 IS BASE UNIT INCLUDING THE 108 INCH HOSES+ COUPLERS COMMON TO ALL VERSIONS
 DIFFERENT P/N'S FOR PUMP UNIT C/W VARIOUS HOSE SETS

- THIS DG OUR 151000100 IS 856A1084 EQUIVALENT FITTED 108 INCH HOSES TERMINATING IN SNAPTITE VHC-4 COUPLER AND SPECIFIC EQUIVALENT G04 HOSE AND FITTING SET
 'G04' HOSE/FITTING SET COMPRISES:
 HOSE ASSY 50/51 FITTED SNAPTITE VHN-4 IN PLATED STEEL AND PLATED STEEL HOSE FITTINGS
 2 OFF ADAPTOR 5-4 JIC (58/62), 1 OFF REDUCER 6-4 (55), 1 OFF REDUCER 8-4 (54) BOTH IN 316 STAINLESS
 2 OFF REDUCER 6-4 (52/53) ALL IN STAINLESS STEEL
 THE SPECIFIC ENGINE FITTINGS ARE 316 STAINLESS.
10. GAUGES SUPPLIED WITH CALIBRATION CERTIFICATES TRACABLE BACK TO NATIONAL STANDARD
 11. UNIT DESIGNED TO PERFORM TEST CARRIED OUT IN ORIGINAL INSTRUCTIONS.
- TRADEMARKS ACKNOWLEDGED

MEMO- FMF APPLICATION QUOTED ON ORIGINAL MFR DRAWINGS IS CFM56-5



UNLESS OTHERWISE STATED:
 DIMENSIONS IN MILLIMETRES
 SURFACE FINISH IN MICROMETRES
 REMOVE SHARP EDGES

© COPYRIGHT 1999 SARUM HYDRAULICS LTD.

					SARUM HYDRAULICS LTD.		DRAWN JGF	APP JGF
					P.O. BOX 48, SALISBURY SP1 3YB TEL. 01722 328388 FAX. 01722 414307			CHKD
				TITLE		SCALE F SIZE	SHEET	OF
				ACTUATOR PORTABLE HYDRAULIC		CAD 2-D	151000100	
				MATERIAL -		DRAWING NO.		
2	2401151	ADDED APPLICATION AS MEMO	01/24			151000100		
1		FIRST ISSUE	05/21					
ISSUE	D.C.N.	CHANGE DESCRIPTION & DATE	DATE IMPLEMENTED	FINISH -				