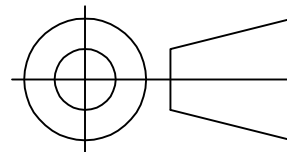
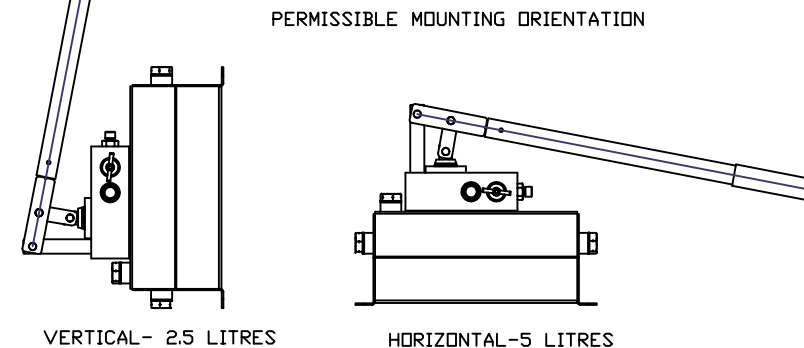
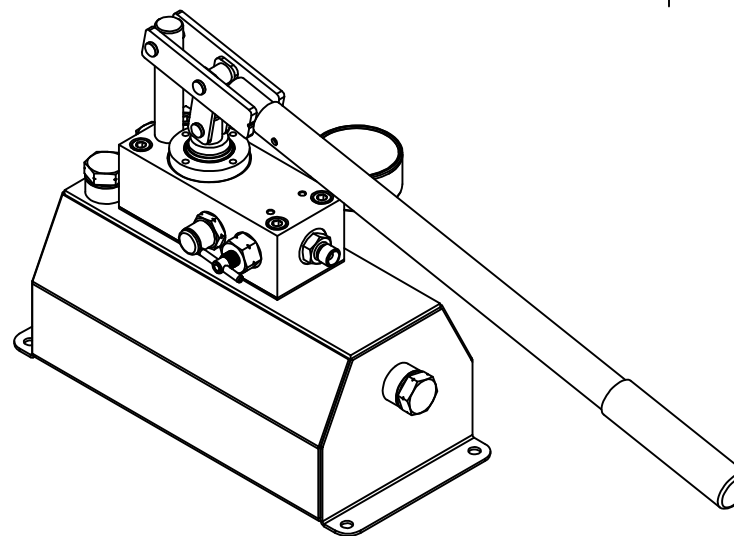
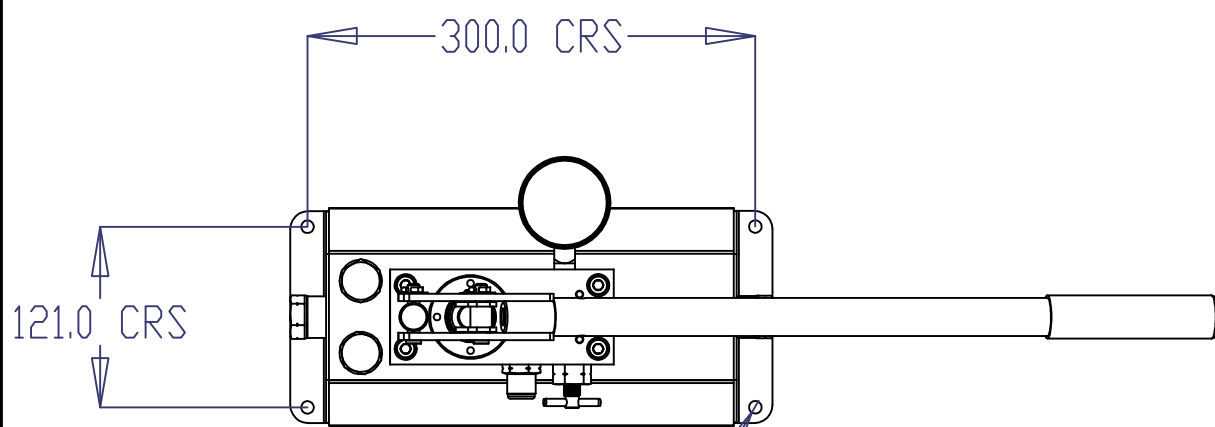


IF IN DOUBT, ASK THIRD ANGLE PROJECTION



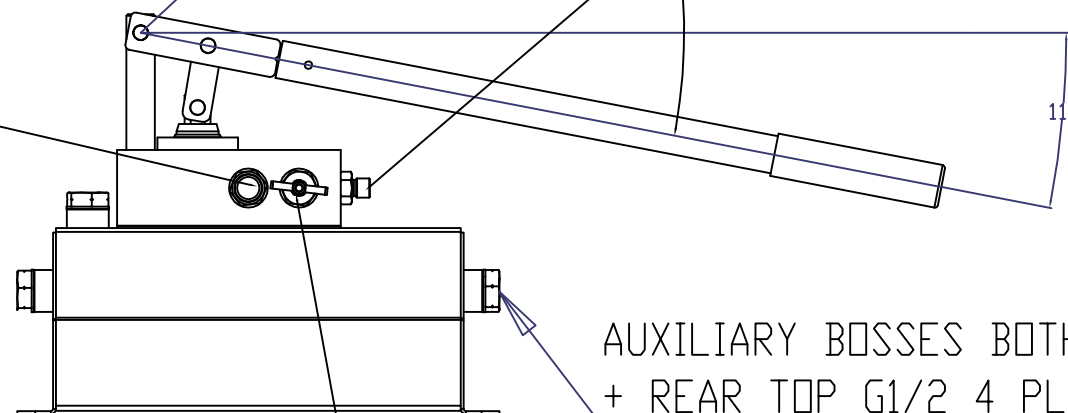
TOLERANCES UNLESS OTHERWISE STATED
 GENERAL TOLERANCES RIGHT ANGLE BENDS &
 NO DEC. PLACE +/-1.0mm OTHER ANGLES +/-1°
 ONE DEC. PLACE +/-0.3mm MACHINED DIAMETERS
 TWO DEC. PLACE +/-0.1mm CONCENTRIC WITHIN
 +/-0.1mm T.I.R.
 SCREW THREADS ARE ISO METRIC COARSE PITCH
 TOL. 6g/6H (MED. FIT) TO BS3643
 WIRE DIA./PLATE THICKNESS TO COMMERCIAL LIMITS
 GEOMETRICAL TOLERANCING TO BS308 PART 3



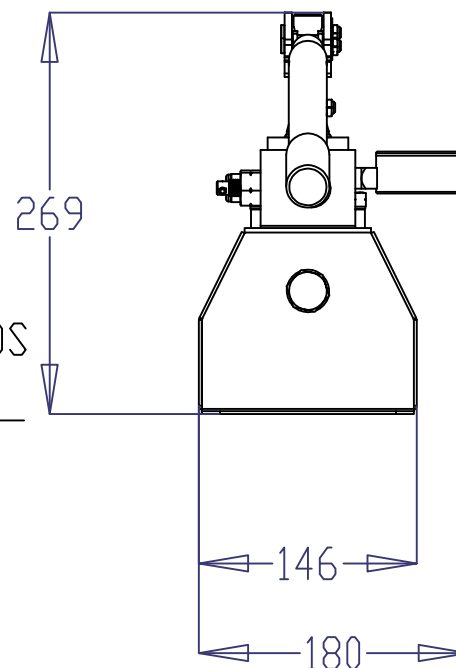
4 x Ø8.5 THRU

54°
 9/16/UNF/SAE FEMALE
 OUTLET PORT FITTED G1/4 MALE
 (OPTIONAL MALE & FEMALE ADAPTORS)

RELIEF VALVE
 SET AT WP
 (ADJUSTABLE)
 ON -R UNITS
 OR BLANKED
 -O UNITS



AUXILIARY BOSSES BOTH ENDS
 + REAR TOP G1/2 4 PLACES



PRESSURE RELEASE VALVE (-R UNITS)
 OR BLANKED ON -O UNITS

NOTES

- PRESSURE/DISPLACEMENTS
 7CC/DOUBLE STROKE TO 700 BAR
 12CC/DOUBLE STROKE TO 407 BAR
 25CC/DOUBLE STROKE TO 207 BAR
 49CC/DOUBLE STROKE TO 102 BAR
- PUMP USES MICROPAC STANDARD HAND PUMP UNIT
 MW-3-12/25/49 MATERIALS OPTIONS FOR WATER/OILS/GLYCOLS PLUS MULTIPLE FLUIDS
 CONSULT FACTORY IF IN DOUBT
- MATERIALS OF CONSTRUCTION
 EXTERNAL
 STAINLESS STEEL 1.4404/ 316
 ALUMINIUM BRONZE CW307G
 WETTED
 STAINLESS STEEL 316,303,304,302,431,420
 ALUMINIUM BRONZE CW307G
 NYLON, ACETAL, PVC
 SEALS: NITRILE, FILLED PTFE, PTFE, UHMWP
- MASS 8 KG
- DIMENSIONS IN mm
- SPECIFICATION SUBJECT TO REVISION
- FOR ALTERNATIVE FLUIDS/SEAL COMPOUNDS -CONSULT FACTORY
- OPERATING TEMPERATURE RANGE -20 TO +80 DEG C SUBJECT TO FLUID
- STANDARD UNIT SUPPLIED WITH 4 LITRE INTEGRAL RESERVOIR IN 316 STAINLESS
 FITTED WITH 4 OFF G1/2 BOSS, ONE FILLER BREATHER IN POLYMER + 3 BLANKING PLUGS
- SYSTEM DESIGN, INSTALLATION, USE & MAINTENANCE TO BE IN
 ACCORDANCE WITH STATUTORY & OTHER REQUIREMENTS

ORDERING CODE ON HAND PUMP
 MGS-3-7 BASIC 7CC/700 BAR 316SS/BRONZE PUMP
 MGS-3-12 BASIC 12CC/407 BAR 316SS/BRONZE PUMP
 MGS-3-25 BASIC 25CC/207 BAR 316SS/BRONZE PUMP
 MGS-3-49 BASIC 49CC/102 BAR 316SS/BRONZE PUMP
 ADD HANDLE, -4 IS 450MM, -6 IS 625MM
 ADD SEALS, -N IS STANDARD NITRILE/UHMWP/PTFE, -V IS FLUOROCARBON, -E IS EPDM
 ADD TEST FLUID, -W IS WATER, -O IS MINERAL OIL
 ADD RELEASE/HOLD VALVE, -R IS RELEASE/ HOLD VALVE FITTED, -O IS PLUGGED
 ADD GAUGE OPTION, -G IS 63MM MAX RANGE PUMP BAR, -O IS PLUGGED.
 SPECIFY ON ORDER IF DIFFERENT GAUGE RANGE
 ADD RELIEF VALVE OPTION, -R IS RELIEF VALVE FITTED, SET MAX RANGE PUMP BAR, -O PLUGGED
 SPECIFY ALTERNATE RANGE ON ORDER.
 ADD 4 LITRE FIXED RESERVOIR -5F fitted extra bosses G1/2
 CONSULT FACTORY IF IN DOUBT.
 PARTS UNITS ASSEMBLED TOGETHER TO FORM INTEGRAL MGS SUBSEA & OFFSHORE PUMP UNIT..

UNLESS OTHERWISE STATED:
 DIMENSIONS IN MILLIMETRES
 SURFACE FINISH IN MICROMETRES
 REMOVE SHARP EDGES

© COPYRIGHT 2023 SARUM HYDRAULICS LTD.

					SARUM HYDRAULICS LTD.		DRAWN JGF	APP JF
					P.O. BOX 48, SALISBURY SP1 3YB TEL. 01722 328388 FAX. 01722 414307			CHKD
				TITLE		SCALE F SIZE	SHEET	OF
				INSTALLATION DRAWING MICROPAC MGS PUMP/FIXED RESERVOIR UNIT		CAD 2-D	MGS-**	
				MATERIAL PER NOTE		DRAWING NO.		
				FINISH PER NOTE		MGS-**-		
1		FIRST ISSUE	05/23					
ISSUE	D.C.N.	CHANGE DESCRIPTION & DATE	DATE IMPLEMENTED					