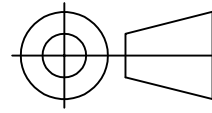
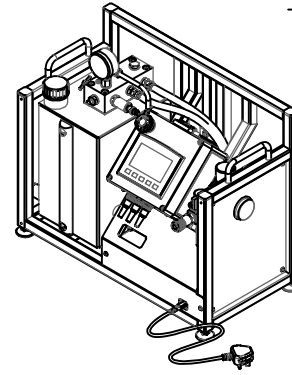
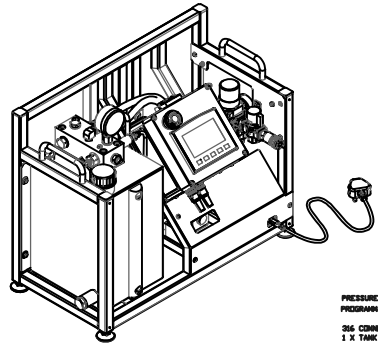


# IF IN DOUBT, ASK THIRD ANGLE PROJECTION

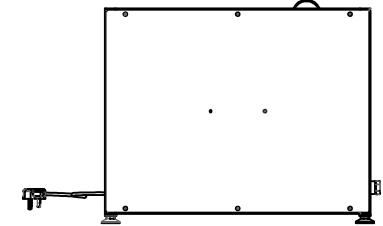
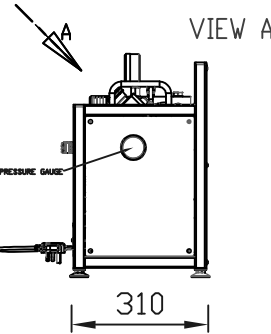
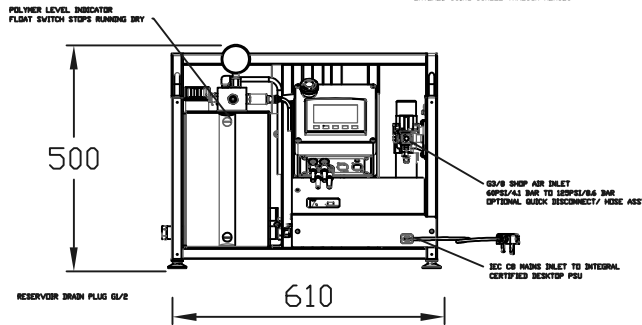
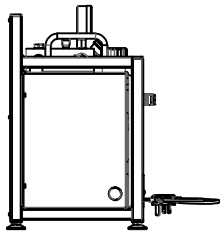
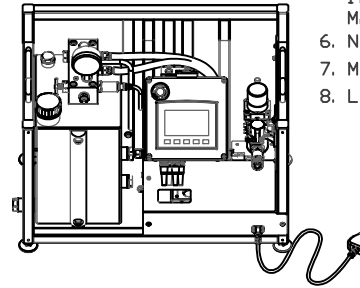
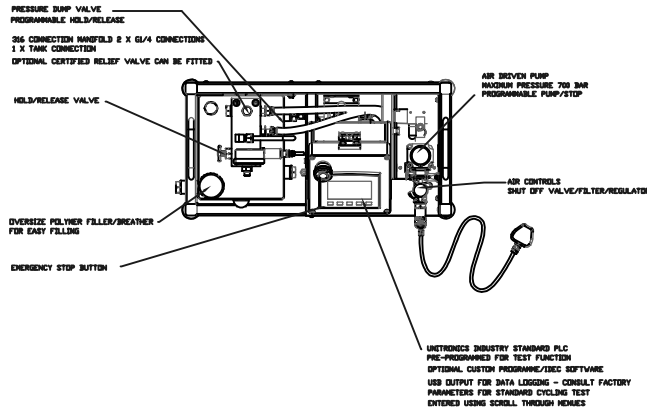


TOLERANCES UNLESS OTHERWISE STATED  
 GENERAL TOLERANCES RIGHT ANGLE BENDS &  
 NO DEC. PLACE +/-1.0mm OTHER ANGLES +/-1°  
 ONE DEC. PLACE +/-0.3mm MACHINED DIAMETERS  
 TWO DEC. PLACE +/-0.1mm CONCENTRIC WITHIN  
 +/-0.1mm T.I.R.  
 SCREW THREADS ARE ISO METRIC COARSE PITCH  
 TOL. 6g/6H (MED. FIT) TO BS3643  
 WIRE DIA./PLATE THICKNESS TO COMMERCIAL LIMITS  
 GEOMETRICAL TOLERANCING TO BS308 PART 3



## NOTES

1. MATERIALS OF CONSTRUCTION  
 STAINLESS STEEL WETTED PARTS  
 ANODISED ALLOY AIR KIT
2. ALL DIMENSIONS IN mm
3. MASS 35 KG DRY
4. USE DATA SHEET 336009200 FOR ORDERING CODES
5. THE RESERVOIR IS NOT A PRESSURE VESSEL.  
 IT MUST ALWAYS BE VENTED TO ATMOSPHERE  
 MAXIMUM INTERNAL PRESSURE 0.3 BARG
6. NOMINAL CAPACITY 10 LITRES (2.6USG)
7. MAINS INLET VOLTAGE 100-240V. PSU IS 24V/60W
8. LARGER RESERVOIRS AVAILABLE



UNLESS OTHERWISE STATED:  
 DIMENSIONS IN MILLIMETRES  
 SURFACE FINISH IN MICROMETRES  
 REMOVE SHARP EDGES

© COPYRIGHT 2020 SARUM HYDRAULICS LTD.



SARUM HYDRAULICS LTD.

SALISBURY, SP4 6EB, UK  
 www.sarum-hydraulics.co.uk

DRAWN JF APP

CHKD

SCALE F SIZE SHEET OF

CAD 2-D 336009300

DRAWING NO.

336009300

3	2303271	UPDATED TO LATEST FRAMEWORK DESIGN	N.D 03/23
2	2204261	UPDATED TO STAINLESS FRAME/ UNITRONICS	N.D 04/22
1		FIRST ISSUE	05/20
ISSUE	D.C.N.	CHANGE DESCRIPTION & DATE	DATE IMPLEMENTED

TITLE  
 INSTALLATION DRAWING PROGRAMMABLE PRESSURE TEST RIG  
 MATERIAL PER NOTE  
 FINISH PER NOTE