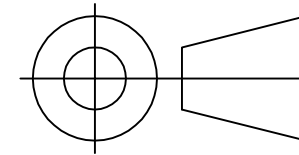
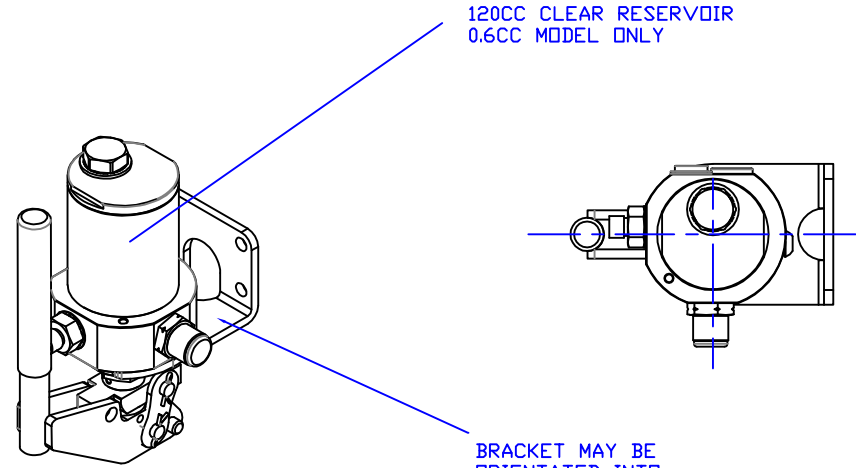


IF IN DOUBT, ASK

THIRD ANGLE PROJECTION

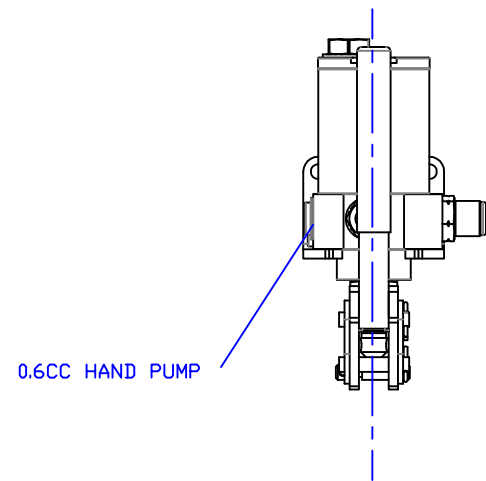
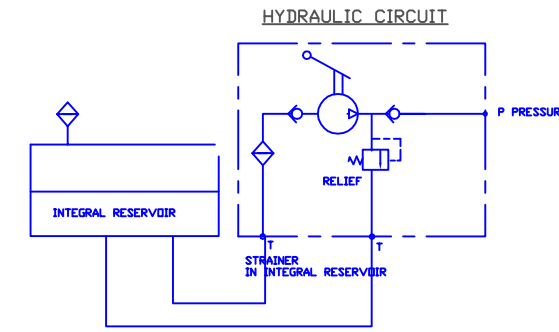
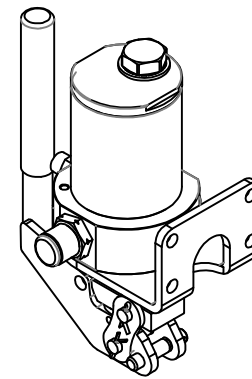


TOLERANCES UNLESS OTHERWISE STATED
 GENERAL TOLERANCES RIGHT ANGLE BENDS &
 NO DEC. PLACE +/-1.0mm OTHER ANGLES +/-1°
 ONE DEC. PLACE +/-0.3mm MACHINED DIAMETERS
 TWO DEC. PLACE +/-0.1mm CONCENTRIC WITHIN
 +/-0.1mm T.I.R.
 SCREW THREADS ARE ISO METRIC COARSE PITCH
 TOL. 6g/6H (MED. FIT) TO BS3643
 WIRE DIA./PLATE THICKNESS TO COMMERCIAL LIMITS
 GEOMETRICAL TOLERANCING TO BS308 PART 3

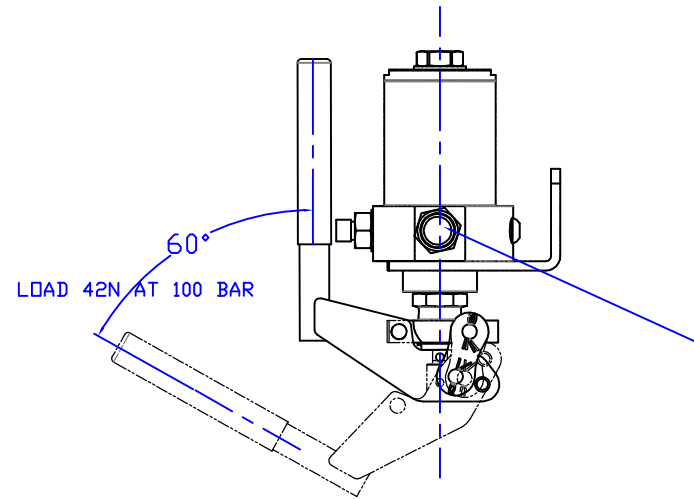


120CC CLEAR RESERVOIR
 0.6CC MODEL ONLY

BRACKET MAY BE ORIENTATED INTO 4 90° POSITIONS TO SUIT INSTALLATION ALSO REVERSED SO MOUNTING FACE POINTS DOWN

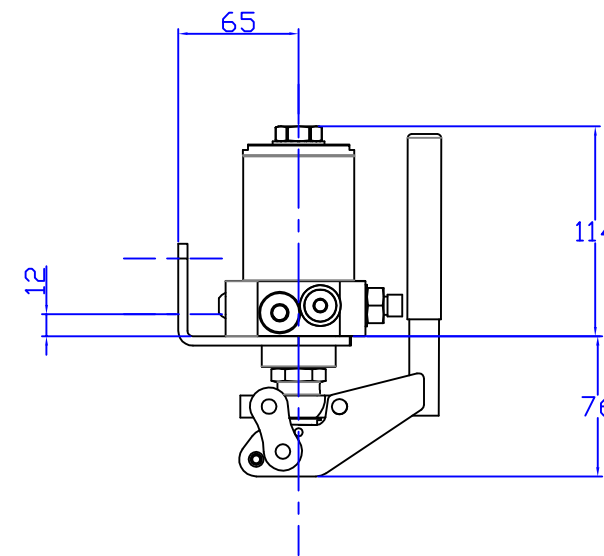
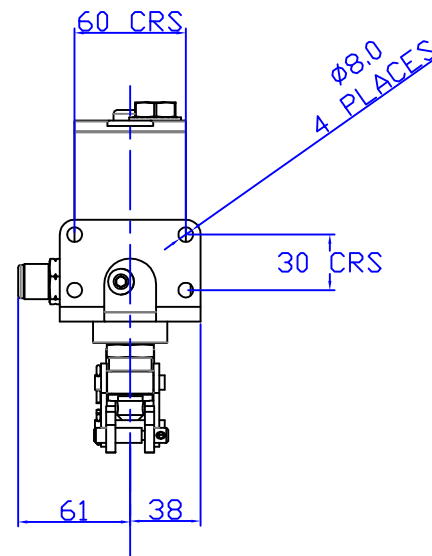


0.6CC HAND PUMP



60°
 LOAD 42N AT 100 BAR

RELIEF VALVE SET AT WP (ADJUSTABLE) ON -R UNITS OR BLANKED -D UNITS



NOTES

1. 4 PRESSURE/DISPLACEMENT OPTIONS FOR LARGER RESERVOIRS UNITS 11cc/STROKE TO 20 BAR, 8cc TO 40 BAR, 5.6cc TO 60 BAR, 4.3CC TO 80 BAR. WITH 500CC OR 2 LITRE RESERVOIR OPTIONS. SINGLE ACTING. THIS UNIT IS 0.6CC/STROKE ONLY WITH THE 120CC CLEAR RESERVOIR OPTION.
2. MATERIALS OF CONSTRUCTION ON ALL UNITS STAINLESS STEEL 316 + SMALL AMOUNTS OF 303,304,302,431,420 ALUMINIUM BRONZE CW307G NYLON, ACETAL, PVC SEALS: NITRILE, FILLED PTFE, PTFE USE ON MULTIPLE LUBRICATION FLUIDS
3. MASS 4 KG
4. DIMENSIONS IN mm
5. SPECIFICATION SUBJECT TO REVISION
6. FOR ALTERNATIVE FLUIDS/SEAL COMPOUNDS -CONSULT FACTORY
7. OPERATING TEMPERATURE RANGE -20 TO +80 DEG C SUBJECT TO FLUID

UNLESS OTHERWISE STATED:
 DIMENSIONS IN MILLIMETRES
 SURFACE FINISH IN MICROMETRES
 REMOVE SHARP EDGES

© COPYRIGHT 2021 SARUM HYDRAULICS LTD.



SARUM HYDRAULICS LTD.

SALISBURY, SP4 6EB, UK
 www.sarum-hydraulics.co.uk

DRAWN JF APP

CHKD

SCALE F SIZE SHEET OF

CAD 2-D 430000100

DRAWING NO.

MPP-3-06-12 FILLER PUMP

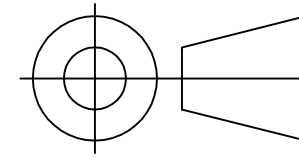
TITLE
 INSTALLATION DRAWING PUMP PTR-3-06/150CC

MATERIAL PER NOTE

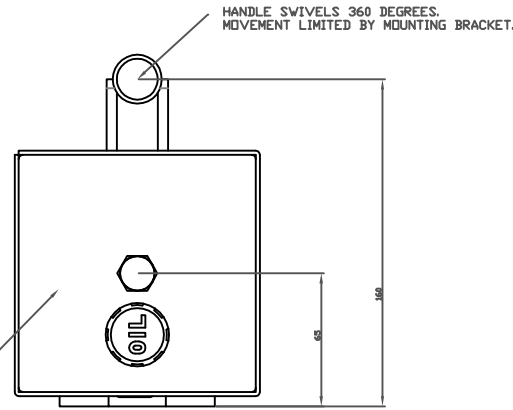
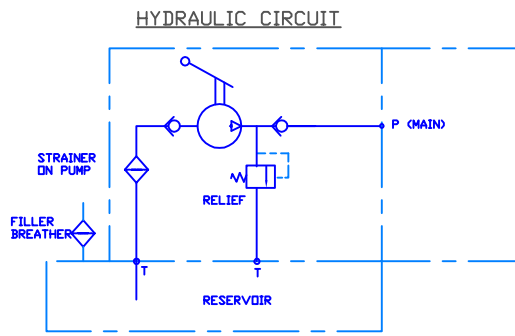
FINISH PER NOTE

ISSUE	D.C.N.	CHANGE DESCRIPTION & DATE	DATE IMPLEMENTED
2	2302281	EDIT NOTES	02/23
1		FIRST ISSUE	05/21

IF IN DOUBT, ASK THIRD ANGLE PROJECTION

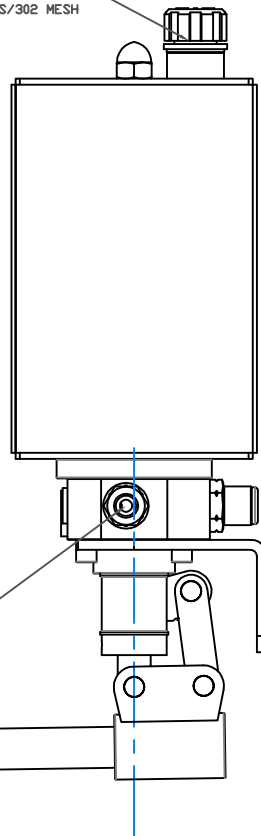
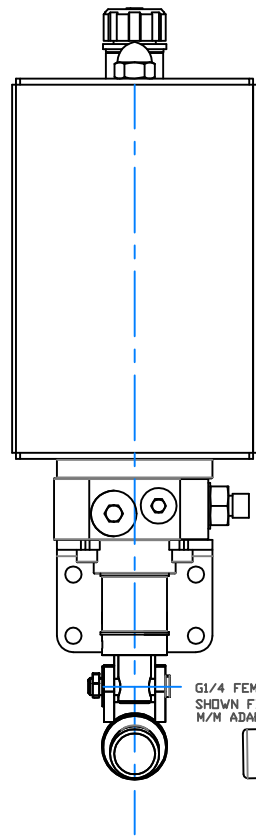


TOLERANCES UNLESS OTHERWISE STATED
 GENERAL TOLERANCES RIGHT ANGLE BENDS &
 NO DEC. PLACE +/-1.0mm OTHER ANGLES +/-1°
 ONE DEC. PLACE +/-0.3mm MACHINED DIAMETERS
 TWO DEC. PLACE +/-0.1mm CONCENTRIC WITHIN
 +/-0.1mm T.I.R.
 SCREW THREADS ARE ISO METRIC COARSE PITCH
 TOL. 6g/6H (MED. FIT) TO BS3643
 WIRE DIA./PLATE THICKNESS TO COMMERCIAL LIMITS
 GEOMETRICAL TOLERANCING TO BS308 PART 3

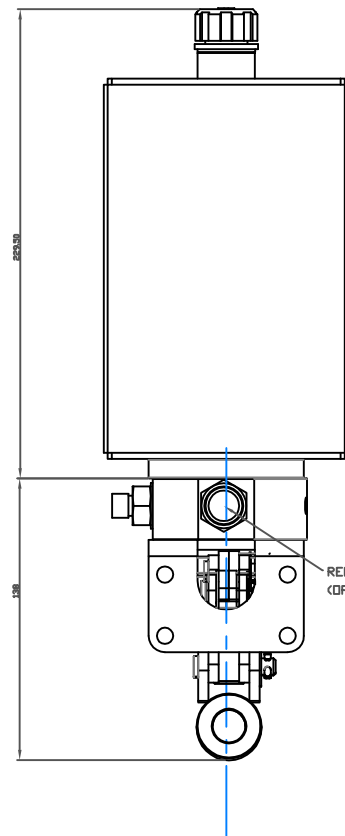


2 LITRE 316 SS RESERVOIR, OPTIONAL LEVEL INDICATOR

FILLER BREATHER POLYMER
 OPTIONAL DIPSTICK
 OPTIONAL 316 STAINLESS/302 MESH

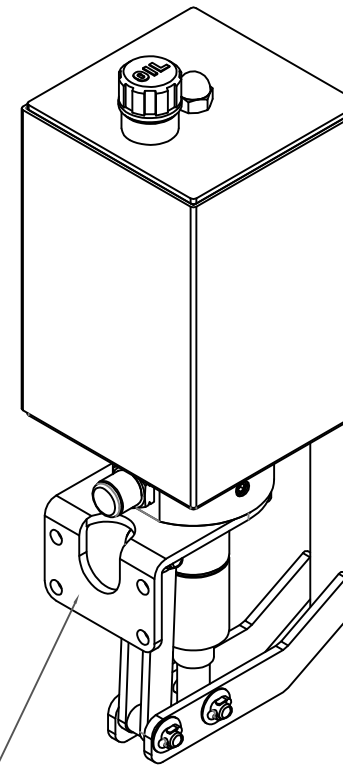
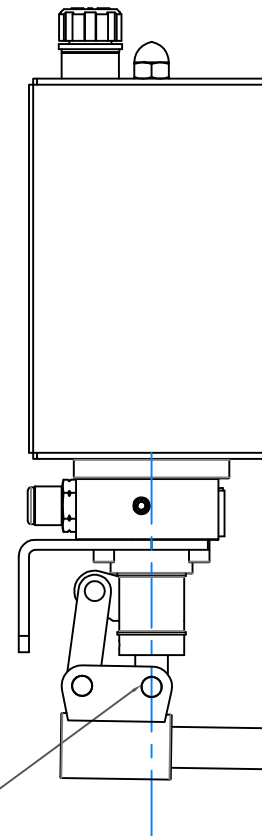


1/4 FEMALE PRESSURE PORT
 SHOWN FITTED OPTIONAL
 M/M ADAPTOR TO 1/4 MALE CONED

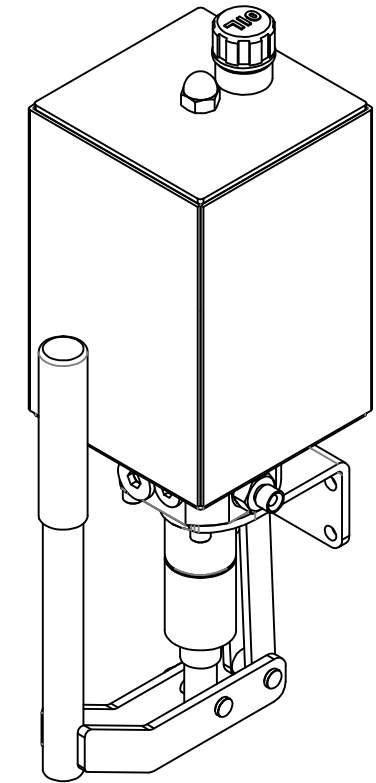


RELIEF VALVE, NON PED
 (OPTIONALLY BLANKED)

PUMP SHOWN IS 5.6CC
 ALSO AVAILABLE AS 4.3CC, 8CC AND 11CC



MOUNTING BRACKET USES 4 X M6 SCREWS TO OFFER
 8 MOUNTING POSITIONS
 OTHER CONFIGURATIONS ON BRACKET ARE AVAILABLE.



NOTES

- 4 PRESSURE/DISPLACEMENT OPTIONS
 11cc/STROKE TO 20 BAR, 8cc TO 40 BAR, 5.6cc TO 60 BAR, 4.3CC TO 80 BAR.
 WITH 500CC OR 2 LITRE RESERVOIR OPTIONS. SINGLE ACTING.
 0.6CC/STROKE ONLY WITH THE 120CC CLEAR RESERVOIR OPTION.
- MATERIALS OF CONSTRUCTION ON ALL UNITS
 STAINLESS STEEL 316 + SMALL AMOUNTS OF 303,304,302,431,420
 ALUMINIUM BRONZE CW307G
 NYLON, ACETAL, PVC
 SEALS: NITRILE, FILLED PTFE, PTFE
 USE ON MULTIPLE LUBRICATION FLUIDS
- MASS 4 KG
- DIMENSIONS IN mm
- SPECIFICATION SUBJECT TO REVISION
- FOR ALTERNATIVE FLUIDS/SEAL COMPOUNDS -CONSULT FACTORY
- OPERATING TEMPERATURE RANGE -20 TO +80 DEG C SUBJECT TO FLUID

UNLESS OTHERWISE STATED:
 DIMENSIONS IN MILLIMETRES
 SURFACE FINISH IN MICROMETRES
 REMOVE SHARP EDGES

© COPYRIGHT 2009 SARUM HYDRAULICS LTD.



SARUM HYDRAULICS LTD.

P.O. BOX 48, SALISBURY SP1 3YB
 TEL. 01722 328388 FAX. 01722 414307

TITLE

PUMP UNIT MPF-03-56-*-20 5.6CC/2L 316

MATERIAL PER NOTE

FINISH PER NOTE

DRAWN JGF. APP

CHKD

SCALE FULL SHEET OF

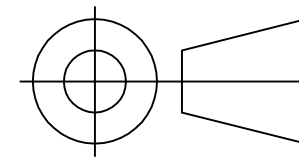
CAD 2-D 433000200

DRAWING NO.

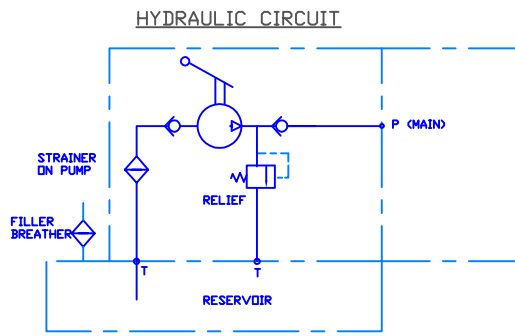
433000200

2	2302281	EDIT NOTES	02/23
1		FIRST ISSUE	03/19
ISSUE	D.C.N.	CHANGE DESCRIPTION & DATE	DATE IMPLEMENTED

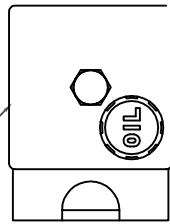
IF IN DOUBT, ASK THIRD ANGLE PROJECTION



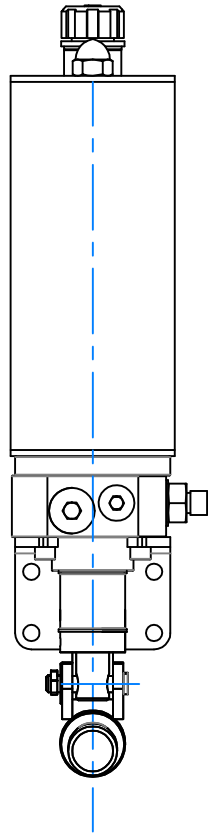
TOLERANCES UNLESS OTHERWISE STATED
 GENERAL TOLERANCES RIGHT ANGLE BENDS &
 NO DEC. PLACE +/-1.0mm OTHER ANGLES +/-1°
 ONE DEC. PLACE +/-0.3mm MACHINED DIAMETERS
 TWO DEC. PLACE +/-0.1mm CONCENTRIC WITHIN
 +/-0.1mm T.I.R.
 SCREW THREADS ARE ISO METRIC COARSE PITCH
 TOL. 6g/6H (MED. FIT) TO BS3643
 WIRE DIA./PLATE THICKNESS TO COMMERCIAL LIMITS
 GEOMETRICAL TOLERANCING TO BS308 PART 3



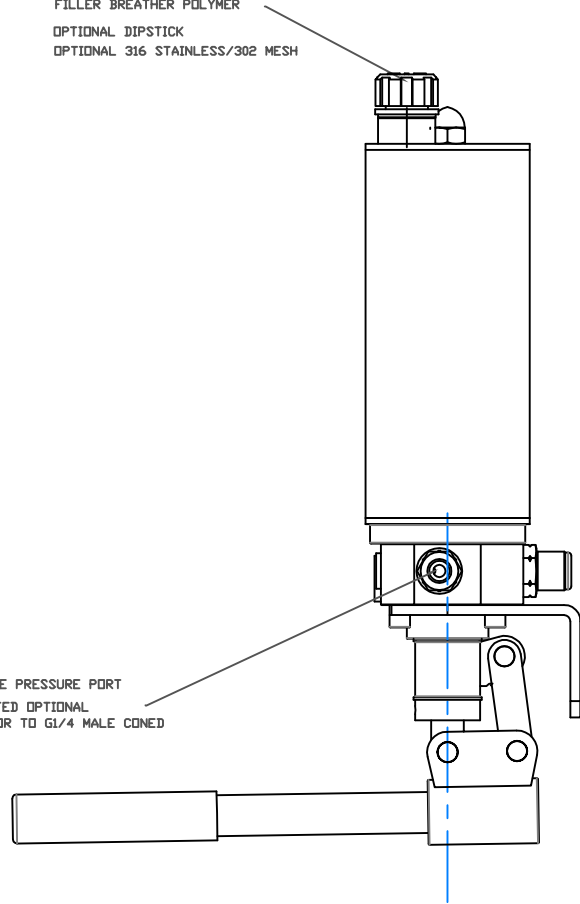
0.5 LITRE 316 SS RESERVOIR, OPTIONAL LEVEL INDICATOR
 2 LITRE RESERVOIR ALSO AVAILABLE



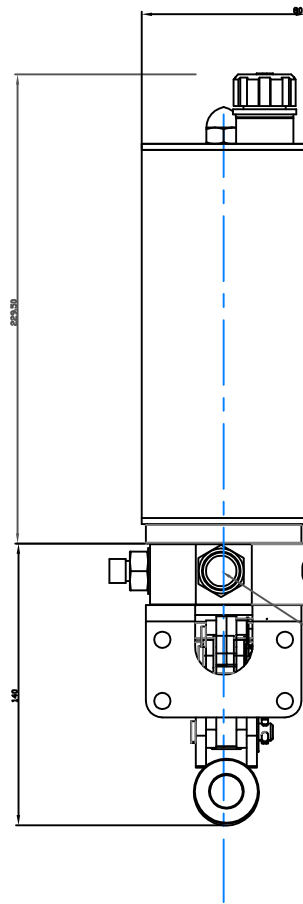
FILLER BREATHER POLYMER
 OPTIONAL DIPSTICK
 OPTIONAL 316 STAINLESS/302 MESH



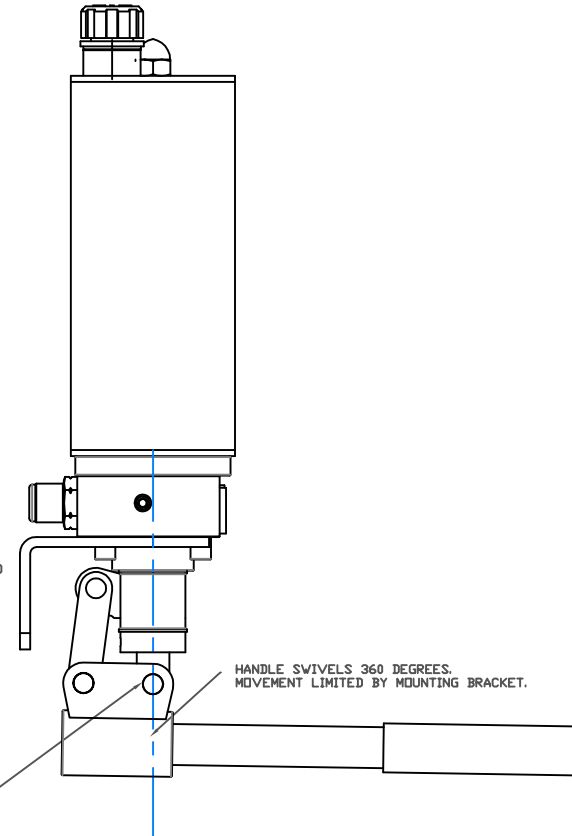
1/4 FEMALE PRESSURE PORT
 SHOWN FITTED OPTIONAL
 M/M ADAPTOR TO 1/4 MALE CONED



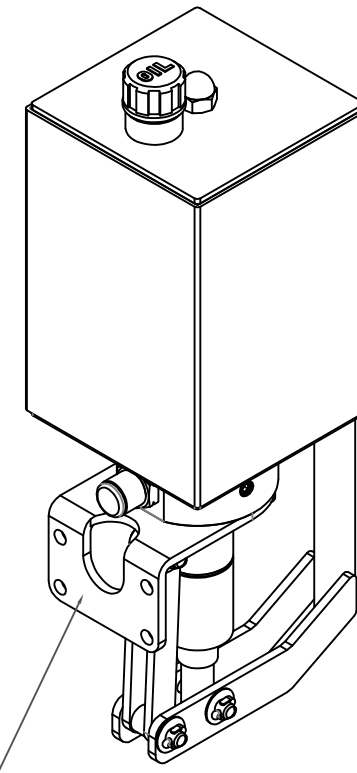
RELIEF VALVE, NON PED
 (OPTIONALLY BLANKED)



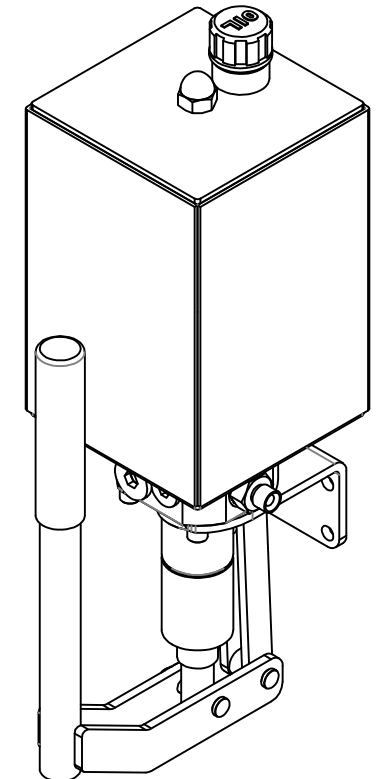
PUMP SHOWN IS 5.6CC
 ALSO AVAILABLE AS 4.3CC, 5.6CC, 8CC AND 11CC



HANDLE SWIVELS 360 DEGREES.
 MOVEMENT LIMITED BY MOUNTING BRACKET.



MOUNTING BRACKET USES 4 X M6 SCREWS TO OFFER
 8 MOUNTING POSITIONS
 OTHER CONFIGURATIONS ON BRACKET ARE AVAILABLE.



UNIT SHOWN WITH OPTIONAL VERTICAL FIXED HANDLE
 CONSULT FACTORY

NOTES

- 4 PRESSURE/DISPLACEMENT OPTIONS
 11cc/STROKE TO 20 BAR, 8cc TO 40 BAR, 5.6cc TO 60 BAR, 4.3CC TO 80 BAR.
 WITH 500CC OR 2 LITRE RESERVOIR OPTIONS. SINGLE ACTING.
 0.6CC/STROKE ONLY WITH THE 120CC CLEAR RESERVOIR OPTION.
- MATERIALS OF CONSTRUCTION ON ALL UNITS
 STAINLESS STEEL 316 + SMALL AMOUNTS OF 303,304,302,431,420
 ALUMINIUM BRONZE CW307G
 NYLON, ACETAL, PVC
 SEALS: NITRILE, FILLED PTFE, PTFE
 USE ON MULTIPLE LUBRICATION FLUIDS
- MASS 4 KG
- DIMENSIONS IN mm
- SPECIFICATION SUBJECT TO REVISION
- FOR ALTERNATIVE FLUIDS/SEAL COMPOUNDS -CONSULT FACTORY
- OPERATING TEMPERATURE RANGE -20 TO +80 DEG C SUBJECT TO FLUID

UNLESS OTHERWISE STATED:
 DIMENSIONS IN MILLIMETRES
 SURFACE FINISH IN MICROMETRES
 REMOVE SHARP EDGES

© COPYRIGHT 2009 SARUM HYDRAULICS LTD.



SARUM HYDRAULICS LTD.

P.O. BOX 48, SALISBURY SP1 3YB
 TEL. 01722 328388 FAX. 01722 414307

TITLE

PUMP UNIT 0.5L 316 5.6cc

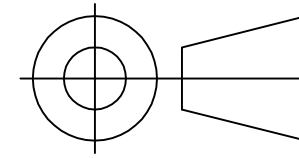
MATERIAL PER NOTE

FINISH PER NOTE

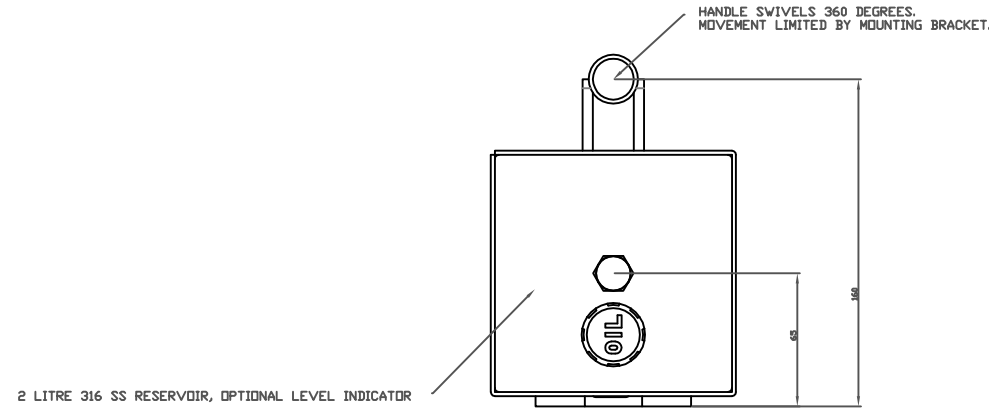
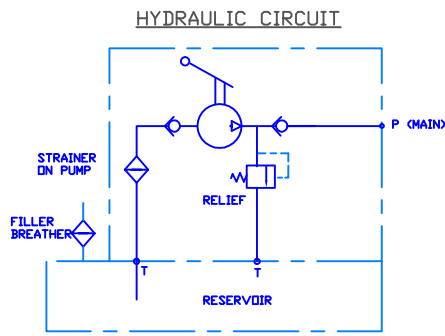
DRAWN JGF.	APP
	CHKD
SCALE FULL	SHEET OF
CAD 2-D 433000300	
DRAWING NO.	
433000300	

2	2302281	EDIT NOTES	02/23
1		FIRST ISSUE	01/21
ISSUE	D.C.N.	CHANGE DESCRIPTION & DATE	DATE IMPLEMENTED

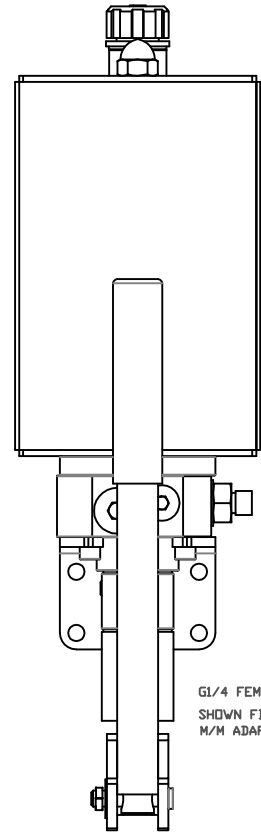
IF IN DOUBT, ASK THIRD ANGLE PROJECTION



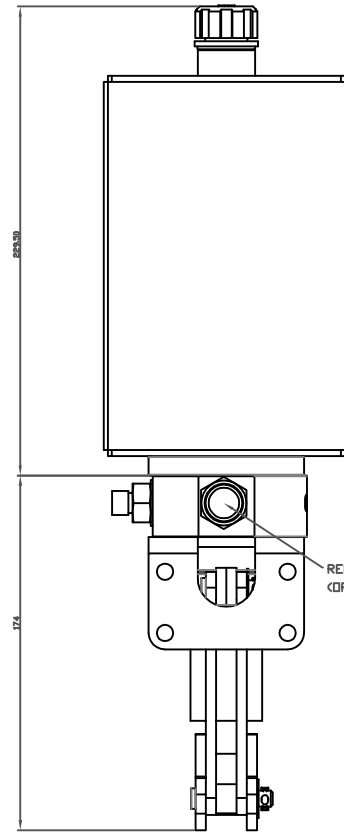
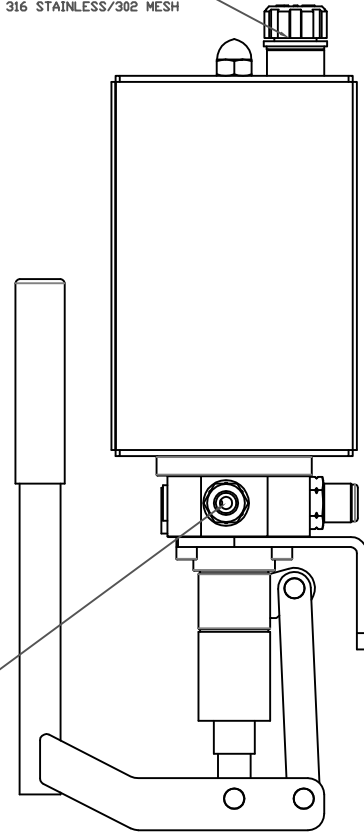
TOLERANCES UNLESS OTHERWISE STATED
 GENERAL TOLERANCES RIGHT ANGLE BENDS &
 NO DEC. PLACE +/-1.0mm OTHER ANGLES +/-1°
 ONE DEC. PLACE +/-0.3mm MACHINED DIAMETERS
 TWO DEC. PLACE +/-0.1mm CONCENTRIC WITHIN
 +/-0.1mm T.I.R.
 SCREW THREADS ARE ISO METRIC COARSE PITCH
 TOL. 6g/6H (MED. FIT) TO BS3643
 WIRE DIA./PLATE THICKNESS TO COMMERCIAL LIMITS
 GEOMETRICAL TOLERANCING TO BS308 PART 3



FILLER BREATHER POLYMER
 OPTIONAL DIPSTICK
 OPTIONAL 316 STAINLESS/302 MESH

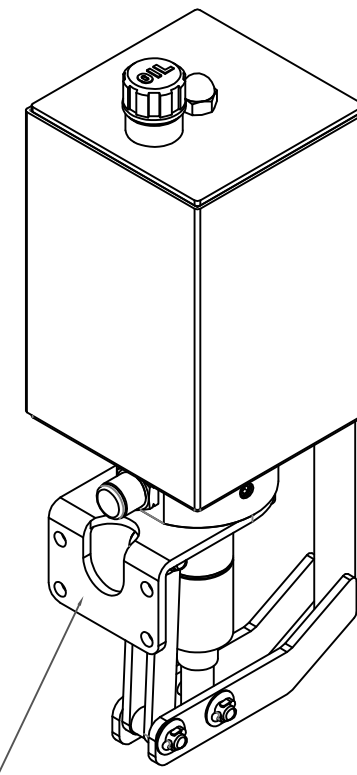


1/4 FEMALE PRESSURE PORT
 SHOWN FITTED OPTIONAL
 M/M ADAPTOR TO 1/4 MALE CONED

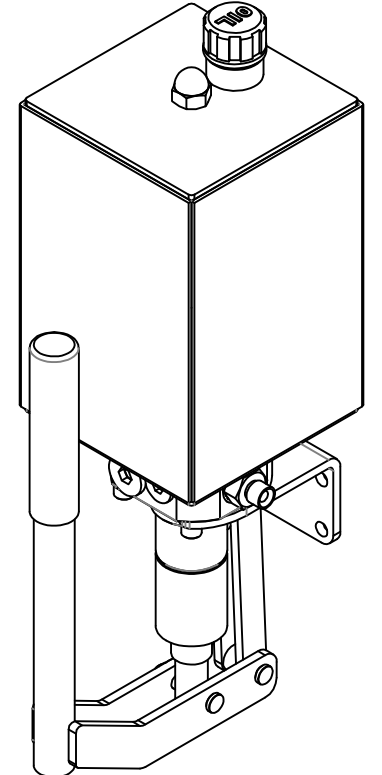


RELIEF VALVE, NON PED
 (OPTIONALLY BLANKED)

PUMP SHOWN IS 11CC
 ALSO AVAILABLE AS 8CC AND 5.6CC



MOUNTING BRACKET USES 4 X M6 SCREWS TO OFFER
 8 MOUNTING POSITIONS
 OTHER CONFIGURATIONS ON BRACKET ARE AVAILABLE.



NOTES

- 4 PRESSURE/DISPLACEMENT OPTIONS
 11cc/STROKE TO 20 BAR, 8cc TO 40 BAR, 5.6cc TO 60 BAR, 4.3CC TO 80 BAR.
 WITH 500CC OR 2 LITRE RESERVOIR OPTIONS. SINGLE ACTING.
 0.6CC/STROKE ONLY WITH THE 120CC CLEAR RESERVOIR OPTION.
- MATERIALS OF CONSTRUCTION ON ALL UNITS
 STAINLESS STEEL 316 + SMALL AMOUNTS OF 303,304,302,431,420
 ALUMINIUM BRONZE CW307G
 NYLON, ACETAL, PVC
 SEALS: NITRILE, FILLED PTFE, PTFE
 USE ON MULTIPLE LUBRICATION FLUIDS
- MASS 4 KG
- DIMENSIONS IN mm
- SPECIFICATION SUBJECT TO REVISION
- FOR ALTERNATIVE FLUIDS/SEAL COMPOUNDS -CONSULT FACTORY
- OPERATING TEMPERATURE RANGE -20 TO +80 DEG C SUBJECT TO FLUID

UNLESS OTHERWISE STATED:
 DIMENSIONS IN MILLIMETRES
 SURFACE FINISH IN MICROMETRES
 REMOVE SHARP EDGES

© COPYRIGHT 2009 SARUM HYDRAULICS LTD.



SARUM HYDRAULICS LTD.

P.O. BOX 48, SALISBURY SP1 3YB
 TEL. 01722 328388 FAX. 01722 414307

TITLE

MPF PUMP UNIT 11CC/2L 316

MATERIAL PER NOTE

FINISH CLEAN

DRAWN JGF.

APP

CHKD

SCALE FULL

SHEET OF

CAD 2-D 433000400

DRAWING NO.

MPF-3-11-* -20

1	FIRST ISSUE	02/23
ISSUE	D.C.N.	CHANGE DESCRIPTION & DATE

02/23	DATE IMPLEMENTED
-------	------------------