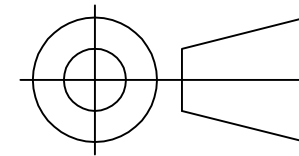


IF IN DOUBT, ASK

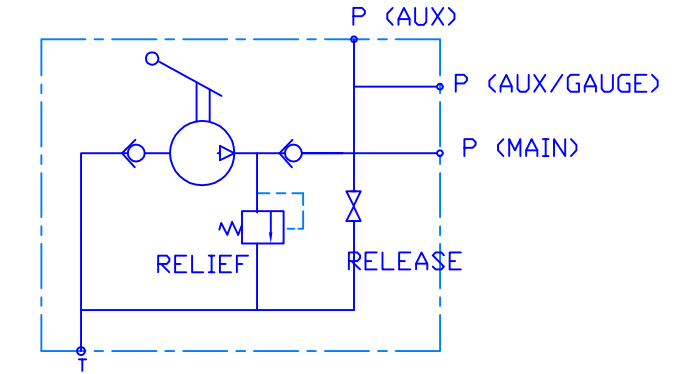
THIRD ANGLE PROJECTION



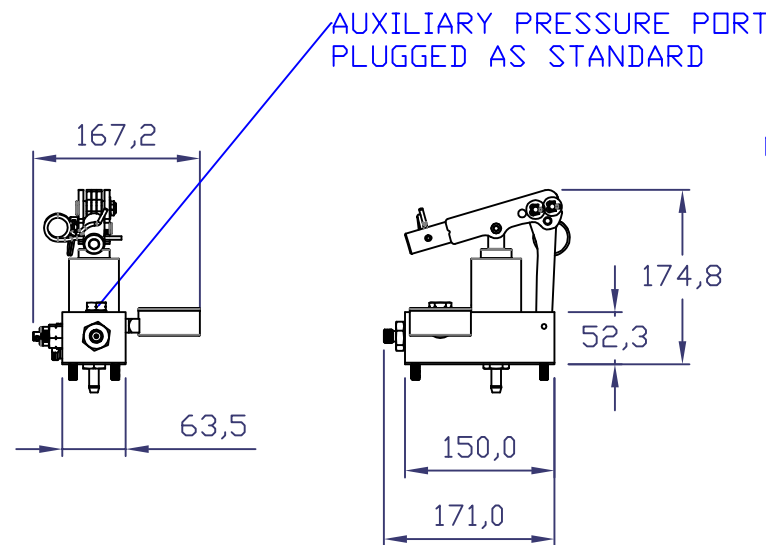
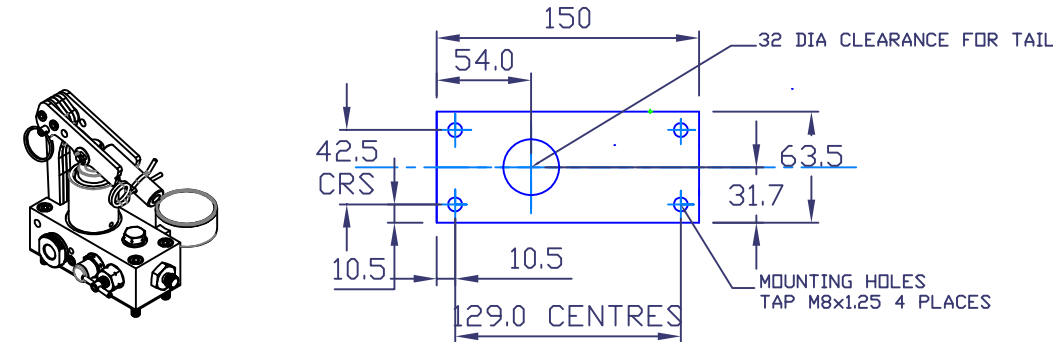
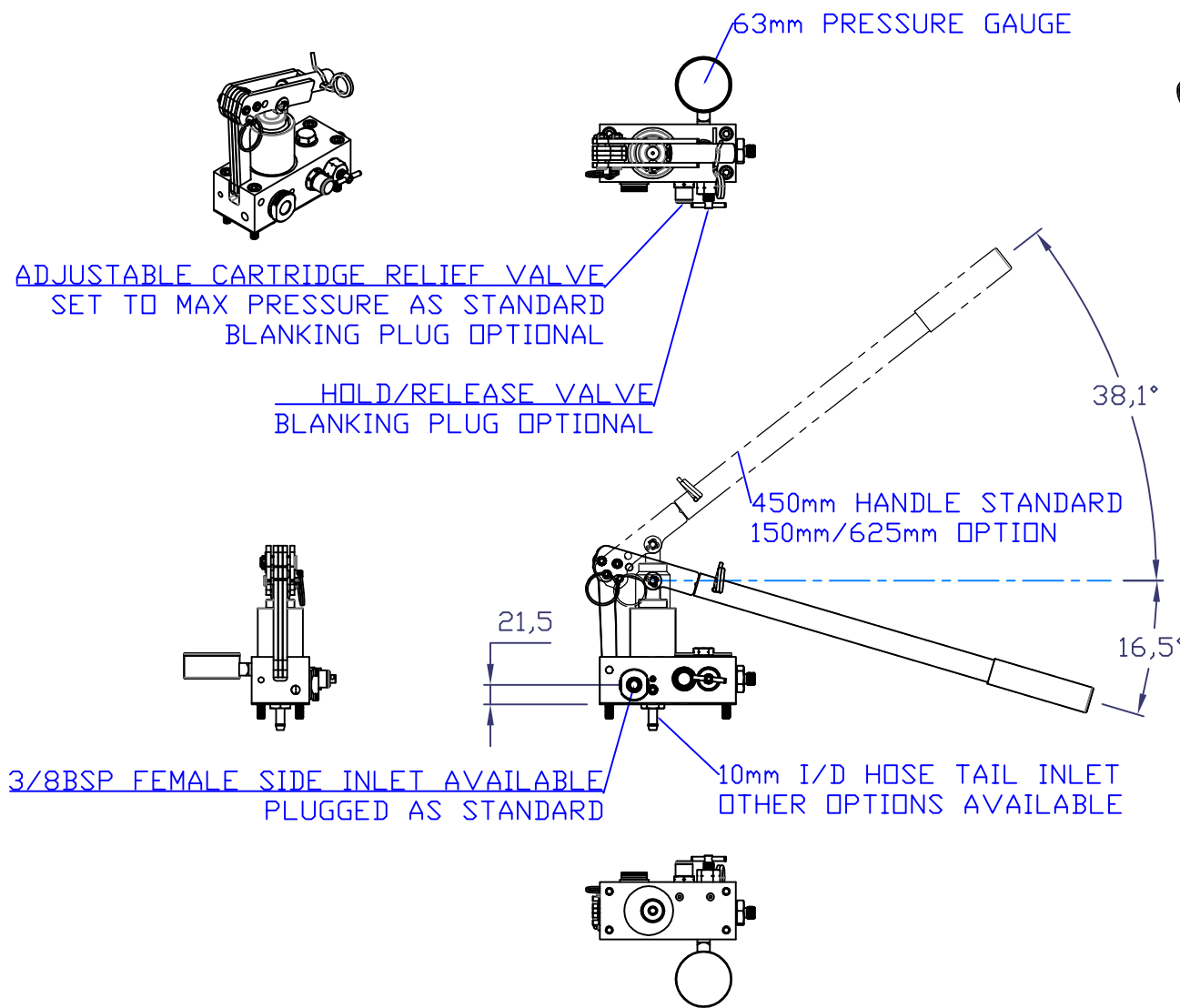
TOLERANCES UNLESS OTHERWISE STATED
 GENERAL TOLERANCES RIGHT ANGLE BENDS &
 NO DEC. PLACE +/-1.0mm OTHER ANGLES +/-1°
 ONE DEC. PLACE +/-0.3mm MACHINED DIAMETERS
 TWO DEC. PLACE +/-0.1mm CONCENTRIC WITHIN
 +/-0.1mm T.I.R.
 SCREW THREADS ARE ISO METRIC COARSE PITCH
 TOL. 6g/6H (MED. FIT) TO BS3643
 WIRE DIA./PLATE THICKNESS TO COMMERCIAL LIMITS
 GEOMETRICAL TOLERANCING TO BS308 PART 3

MOUNTING FACE PLAN FOR TANK TOP
 PUMP WILL FIT ON ANY MR SERIES MICRO PAC RESERVOIR

HYDRAULIC CIRCUIT



NO INLET STRAINER



NOTES:

1. PRESSURE/DISPLACEMENT:
MFX-6-50 50CC/DOUBLE STROKE TO 50BAR
2. MATERIAL OPTIONS:
-6 316 STAINLESS STEEL EXTERNAL, STAINLESS &
BRONZE WETTED
-A IN ALLOY/STAINLESS
3. MATERIALS OF CONSTRUCTION:
STAINLESS STEEL BS970, 316, 303, 304, 302, 431, 420
NYLON, ACETAL, PVC
SEALS NITRILE, FILLED PTFE, PTFE, UHMW
4. MASS 5.5KG APPROX.
5. DIMENSIONS IN mm
6. SPECIFICATION SUBJECT TO REVISION
7. FOR ALTERNATIVE FLUIDS/COMPOUNDS - CONSULT
FACTORY
8. OPERATING TEMPERATURE RANGE -20 TO +80 DEG C
SUBJECT TO FLUID
9. STANDARD UNIT SUPPLIED WITH INLET FILTER/DIPTUBE,
GASKET & MOUNTING SCREWS + OPERATING HANDLE
10. SYSTEM DESIGN, INSTALLATION, USE & MAINTENANCE TO
BE IN ACCORDANCE WITH STATUTORY & OTHER
REQUIREMENTS
11. USE DATASHEET FOR ORDERING CODES
12. RANGE OF RESERVOIRS AVAILABLE
ORDER SEPERATELY

UNLESS OTHERWISE STATED:
 DIMENSIONS IN MILLIMETRES
 SURFACE FINISH IN MICROMETRES
 REMOVE SHARP EDGES

© COPYRIGHT 2022 SARUM HYDRAULICS LTD.



SARUM HYDRAULICS LTD.

SALISBURY, SP4 6EB, UK
 www.sarum-hydraulics.co.uk

TITLE

INST DRAWING: MFX- LOW PRESSURE FACE MOUNT PUMP

MATERIAL PER NOTES

FINISH PER NOTES

DRAWN NO

APP JF

CHKD

SCALE F SIZE

SHEET 0F

CAD 2-D 508000100

DRAWING NO.

508000100

1		FIRST ISSUE	03/22
ISSUE	D.C.N.	CHANGE DESCRIPTION & DATE	DATE IMPLEMENTED