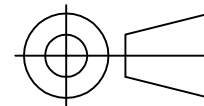
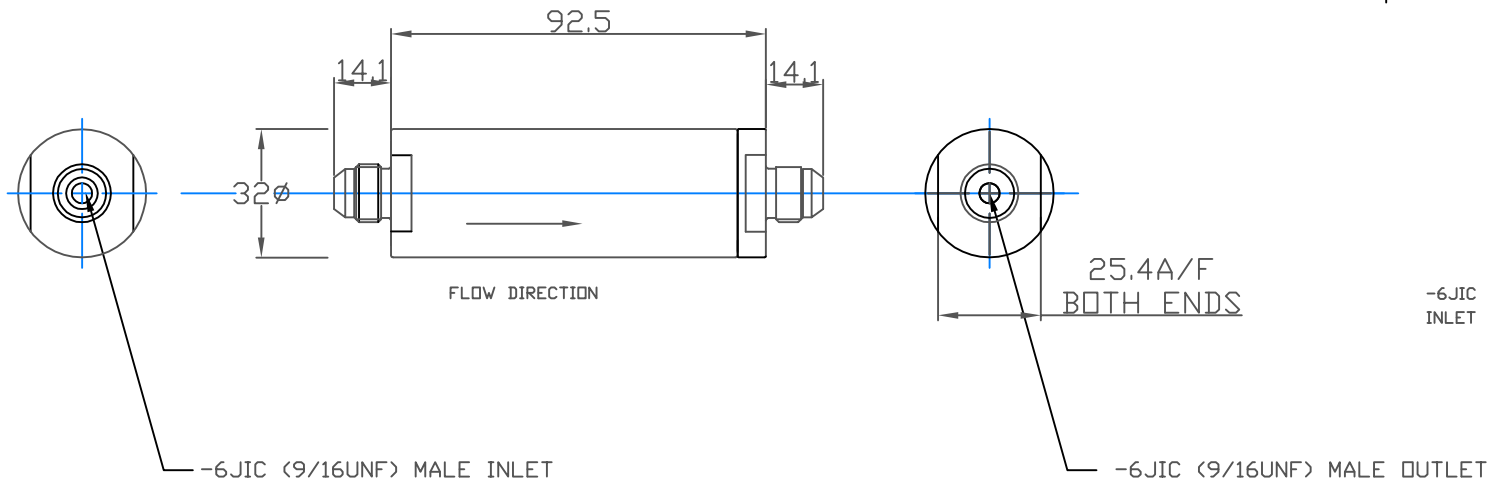


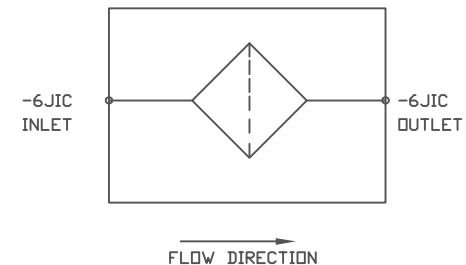
IF IN DOUBT, ASK THIRD ANGLE PROJECTION



TOLERANCES UNLESS OTHERWISE STATED
 GENERAL TOLERANCES RIGHT ANGLE BENDS &
 NO DEC. PLACE +/-1.0mm OTHER ANGLES +/-1°
 ONE DEC. PLACE +/-0.3mm MACHINED DIAMETERS
 TWO DEC. PLACE +/-0.1mm CONCENTRIC WITHIN
 +/-0.1mm T.I.R.
 SCREW THREADS ARE ISO METRIC COARSE PITCH
 TOL. 6g/6H (MED. FIT) TO BS3643
 WIRE DIA./PLATE THICKNESS TO COMMERCIAL LIMITS
 GEOMETRICAL TOLERANCING TO BS308 PART 3



HYDRAULIC CIRCUIT



NOTES

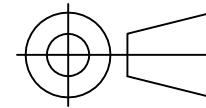
- 1, DESCRIPTION- HIGH PRESSURE LINE FILTER
 SARUM CODE MX-6-3-6-6-N-W, MX SERIES, 316 BODY, 3 MICRON ABS, -6 JIC SIZE, -6 JIC MALE, NITRILE, WATER
- 2, WP 407 BAR
- 3, OPERATING FLUID WATER, GLYCOL OR MINERAL OIL. CONSULT FACTORY IF IN DOUBT
 MASS 0.5KG APPROX
- 5, OPERATING TEMPERATURE RANGE -40 TO +50 deg c
- 6, MATERIALS OF CONSTRUCTION
 STAINLESS STEEL 316, 303
 SEALS PTFE AND NITRILE
 304 STAINLESS STEEL CAPS ON FILTER, GLASS ELEMENT
- 7, "AN6235-1A" SIZE STANDARD FILTER ELEMENT FITTED, SARUM P/N 912000800 FOR 3 MICRON STAINLESS
- 8, MICRON RATING 3 MICRON ABSOLUTE
- 9, NOTE NO CLOGGING INDICATOR OR BYPASS VALVE ON THIS UNIT

UNLESS OTHERWISE STATED:
 DIMENSIONS IN MILLIMETRES
 SURFACE FINISH IN MICROMETRES
 REMOVE SHARP EDGES

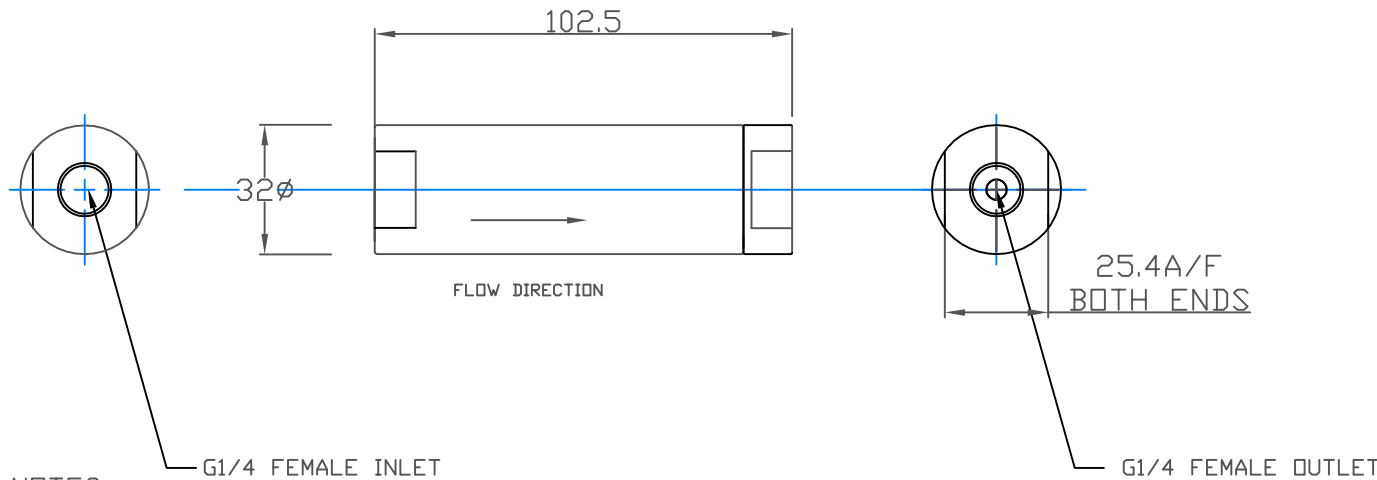
© COPYRIGHT 2011 SARUM HYDRAULICS LTD.

					SARUM HYDRAULICS LTD.		DRAWN JGF	APP
					P.O. BOX 48, SALISBURY SP1 3YB TEL. 01722 328388 FAX. 01722 414307		SCALE FULL	SHEET OF
				TITLE		CAD 2-D 271002700		DRAWING NO. 271002700
				FILTER ASSY MX-6-3-6-6-N-W				
1		FIRST ISSUE	03/11	MATERIAL PER NOTE				
ISSUE	D.C.N.	CHANGE DESCRIPTION & DATE	DATE IMPLEMENTED	FINISH SELF				

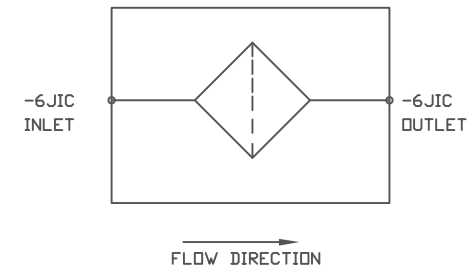
IF IN DOUBT, ASK THIRD ANGLE PROJECTION



TOLERANCES UNLESS OTHERWISE STATED
 GENERAL TOLERANCES RIGHT ANGLE BENDS &
 NO DEC. PLACE +/-1.0mm OTHER ANGLES +/-1°
 ONE DEC. PLACE +/-0.3mm MACHINED DIAMETERS
 TWO DEC. PLACE +/-0.1mm CONCENTRIC WITHIN
 +/-0.1mm T.I.R.
 SCREW THREADS ARE ISO METRIC COARSE PITCH
 TOL. 6g/6H (MED. FIT) TO BS3643
 WIRE DIA./PLATE THICKNESS TO COMMERCIAL LIMITS
 GEOMETRICAL TOLERANCING TO BS308 PART 3



HYDRAULIC CIRCUIT



NOTES

- 1, DESCRIPTION- HIGH PRESSURE LINE FILTER
 SARUM CODE MX-6-03-4-4-N-W, MX SERIES, 316 BODY, 3 MICRON ELEMENT, G1/4 FEMALE INLET/OUTLET, NITRILE, WATER
- 2, WP 407 BAR
- 3, OPERATING FLUID WATER, GLYCOL OR MINERAL OIL. CONSULT FACTORY IF IN DOUBT
 MASS 0.5KG APPROX
- 5, OPERATING TEMPERATURE RANGE -40 TO +50 deg c
- 6, MATERIALS OF CONSTRUCTION
 STAINLESS STEEL 316, 303
 SEALS PTFE AND NITRILE
 304 STAINLESS STEEL CAPS ON FILTER, GLASS ELEMENT
- 7, "AN6235-1A" SIZE STANDARD FILTER ELEMENT FITTED, SARUM P/N 912000800 FOR 3 MICRON STAINLESS
- 8, MICRON RATING 60 MICRON ON THIS STRAINER
- 9, NOTE NO CLOGGING INDICATOR OR BYPASS VALVE ON THIS UNIT
- 10, WE ALSO MANUFACTURE SAME HOUSING WITH -6JIC MALE ADAPTORS, CONSULT DATA SHEET

UNLESS OTHERWISE STATED:
 DIMENSIONS IN MILLIMETRES
 SURFACE FINISH IN MICROMETRES
 REMOVE SHARP EDGES

© COPYRIGHT 2016 SARUM HYDRAULICS LTD.

					SARUM HYDRAULICS LTD.		DRAWN JGF	APP
					P.O. BOX 48, SALISBURY SP1 3YB TEL. 01722 328388 FAX. 01722 414307			CHKD
						SCALE FULL	SHEET	OF
						CAD 2-D 271004800		
				TITLE		DRAWING NO.		<h1>271004800</h1>
				<h2>FILTER ASSY MX-6-3-4-4-N-W</h2>				
				MATERIAL PER NOTE				
1		FIRST ISSUE	01/16	FINISH SELF				
ISSUE	D.C.N.	CHANGE DESCRIPTION & DATE	DATE IMPLEMENTED					