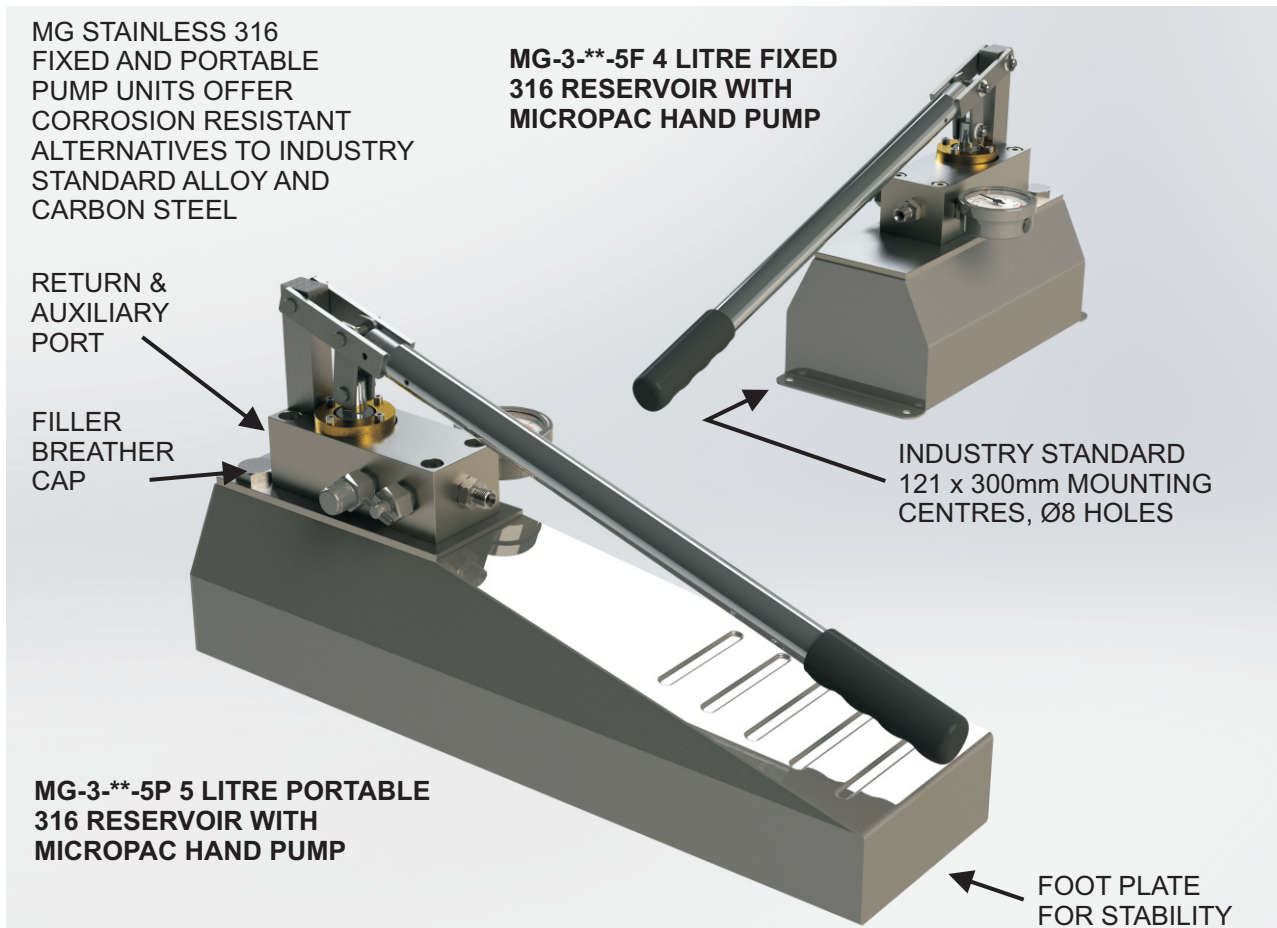




Micropac® MG Series Low Corrosion

An industry standard format in 316 stainless where premature failure due to corrosion is not acceptable



TYPICAL APPLICATIONS: CORROSION RESISTANT STAINLESS STEEL PUMPS WHERE INDUSTRY STANDARDS IN ALLOY AND CARBON STEEL DON'T PERFORM.

COMPATIBLE RESERVOIR MOUNTINGS, MINIMAL CORROSION, EXTENDED SERVICE LIFE, MULTI FLUID USE, EMPLOYS PROVEN SARUM HYDRAULICS MW SERIES HAND PUMPS.

FEATURES

- External construction in stainless 316 1.4404/bronze
- Up to 700 BAR operation.
- Suitable for seawater and subsea application
- Easy retrofit on fixed unit.
- Supplied ready for use
- Oil, water and multi-fluid compatibility
- 4 and 5 Litre reservoir capacities
- Filler breather cap and auxiliary return port G1/2
- PTFE piston/bearing seals for low friction
- Four models for optimum operation;
- 7cc/stroke to 700 bar
- 12cc/stroke to 408 bar
- 25cc/stroke to 205 bar
- 50cc/stroke to 102 bar
- Nitrile seals standard - optional EPDM / Viton®
- Hoses available as an option

INSTALLATION & MAINTENANCE

APPLICATION

The Micropac MG series units are designed to offer extended service life where industry standard alloy and carbon steel units are not viable in offshore, subsea or critical applications. The unit is fitted with a Micropac MW hand pump on a 316 stainless reservoir.

MW hand pumps are compatible with a wide range of fluids. See the MW datasheet or contact the factory for details.

MATERIALS

The unit uses 316/1.4404 stainless steel and bronze cw307g external materials. Wetted parts are stainless 316, bronze cw307g and small amounts of stainless 302/ 303/ 304/ 420/ 431.

CONNECTIONS

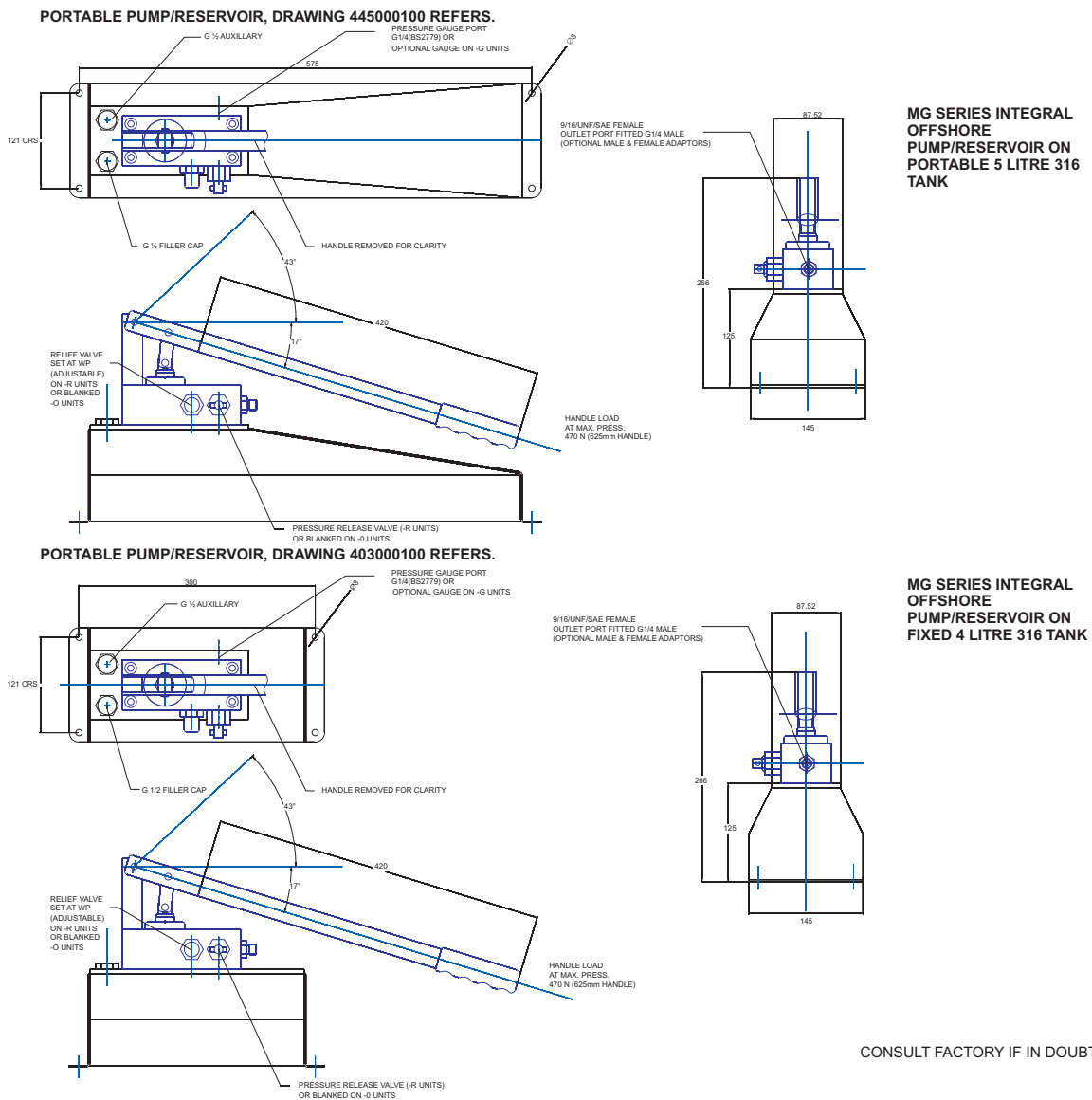
The Micropac MW hand pump as fitted to the unit has a standard male/male adaptor to 1/4bsp male coned. Optional hexagon adaptors to female NPT are available.

The filler port is fitted with a polymer filler /breather. A Stainless steel filler breather is available. A second plugged G1/2 port is provided for a return or equaliser connection, simplifying connection.

SAFETY

Any pump is a component forming part of a hydraulic pressure system. The system should be designed, operated and maintained in accordance with statutory requirements and other relevant instructions.

DIMENSIONS



We are a long established ISO 9001 designer and manufacturer of hydraulic equipment. Full details of other products in our range are available from:

Sarum Hydraulics Limited
 Unit 1 Danebury Court, Salisbury SP4 6EB, UK
 Tel: 44(0)1722 328388 Fax: 44(0)1722 414307
 email: pumpsales@sarum-hydraulics.co.uk
www.sarum-hydraulics.co.uk

We invest heavily and continuously in product development. Specifications are therefore liable to change without prior notification.

©Micropac is a Registered Trade Mark of Sarum Hydraulics



SARUM
 HYDRAULICS
 Designers & Manufacturers of Micropac® Hydraulics



ORDERING CODE BUILDER FOR MICROPAC® MG SERIES PUMP

Model			
Body Material			
3	Stainless 316 / Bronze		
Displacement			
07	7cc / 700 BAR	25	25cc / 207 BAR
12	12cc / 407 BAR	50	50cc / 102 BAR
Handle			
4	450mm Short		
6	625mm Long		
O	No Handle		
Seal Material			
N	Nitrile	E	EPDM for "Skydrol"
V	Viton	S	Special
Test fluid			
W	Water	K	Kerosene
O	Oil	S	Special
Release Valve			
O	No Release		
R	Normal		
S	Special		
Pressure Gauge			
O	No Gauge		
G	Normal		
S	Special		
Relief Valve			
O	No Relief		
R	Normal		
S	Special		
Tank Size			
5F	4 Litre Fixed 316		
5P	5 Litre Portable 316		

M G 3 [] [] [] [] [] [] [] [] [] 5 []

Sarum Hydraulics Limited
Unit 1 Danebury Court, Salisbury SP4 6EB, UK
Tel: 44(0)1722 328388 Fax: 44(0)1722 414307
email: pumpsales@sarum-hydraulics.co.uk
www.sarum-hydraulics.co.uk

For special options, please consult factory.
Gauge, release valve and relief valve are set to the maximum working pressure of the pump as standard.