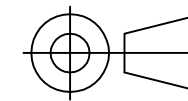
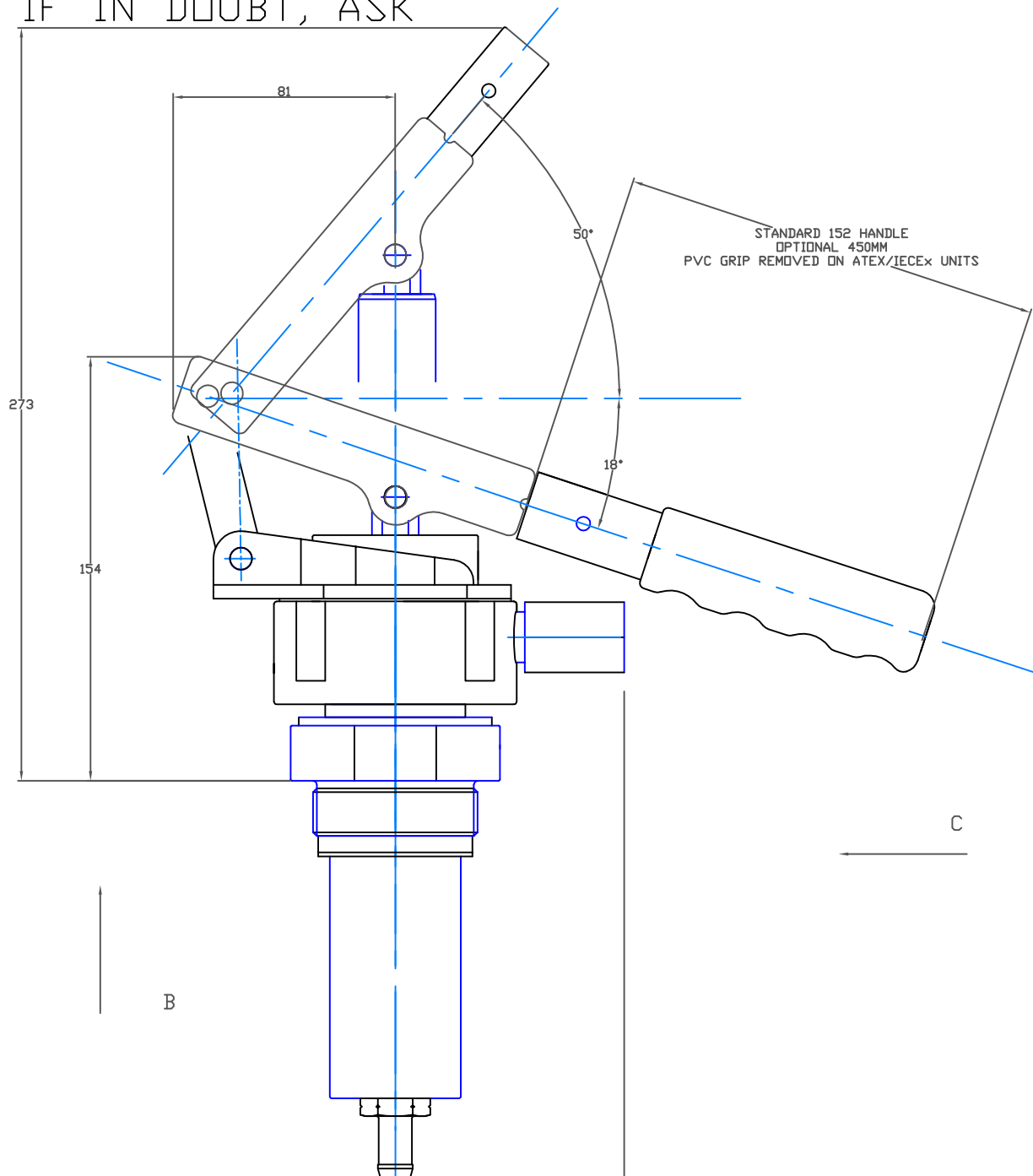


IF IN DOUBT, ASK

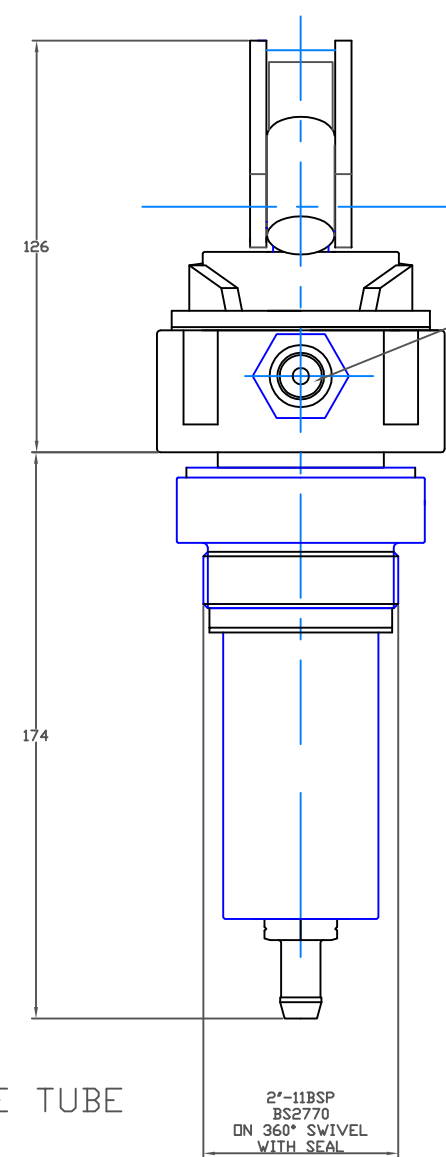
THIRD ANGLE PROJECTION



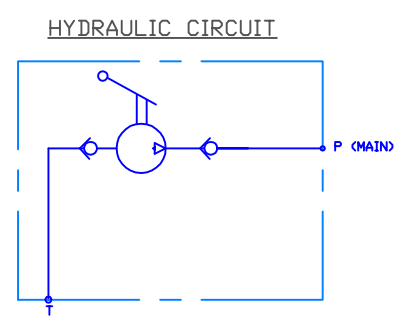
TOLERANCES UNLESS OTHERWISE STATED  
 GENERAL TOLERANCES NO DEC. PLACE +/-1.0mm  
 ONE DEC. PLACE +/-0.3mm  
 TWO DEC. PLACE +/-0.1mm  
 OTHER ANGLES +/-1°  
 MACHINED DIAMETERS CONCENTRIC WITHIN +/-0.1mm T.I.R.  
 SCREW THREADS ARE ISO METRIC COARSE PITCH  
 TOL. 6g/6h (MED. FIT) TO BS3643  
 WIRE DIA./PLATE THICKNESS TO COMMERCIAL LIMITS  
 GEOMETRICAL TOLERANCING TO BS308 PART 3



VIEW ON C  
 HANDLE REMOVED FOR CLARITY



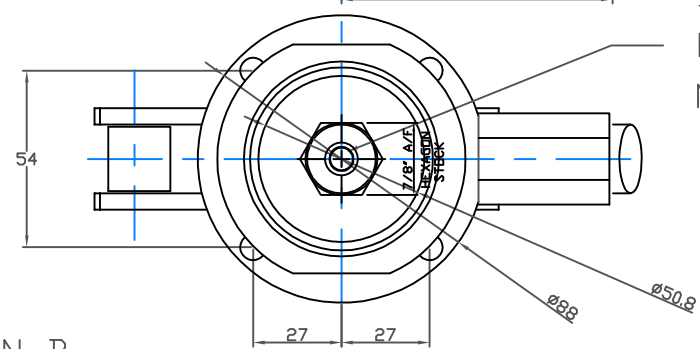
OUTLET PORT  
 G3/8 FEMALE  
 OPTIONAL ALTERNATIVE THREADS



- NOTES.
1. UNIT MANUFACTURED FROM SARUM HYDRAULICS MICROPAC PUMP COMPONENTS.
  2. MATERIALS OF CONSTRUCTION;  
 BODY 316 STAINLESS  
 BARREL 316 STAINLESS  
 ALL OTHER WETTED PARTS 316 STAINLESS OR POLYMER ACETAL, NYLON, PVC.  
 SEALS PTFE, NITRILE, UHMWP
  3. DIMENSIONS IN MM
  4. WORKING FLUID-WATER, OIL, POTABLE WATER
  5. MASS 6KG
  6. INLET CHECK VALVE-SOFT SEAT, REPLACEABLE SEAT
  7. OUTLET CHECK VALVE- STAINLESS STEEL POPPET,
  8. NO INLET STRAINER FITTED
  9. DISPLACEMENT/PRESSURE 100CC TO 25 BAR SINGLE ACTING
  10. FLOW RATE 3 LITRES/MINUTE AT 30 STROKES/MINUTE
  11. MB-6-10-\*P-AX IS 100CC LOW PRESSURE PUMP BRACKET MOUNT
  12. MB-6-10-\*A-AX IS 100CC LOW PRESSURE PUMP PANEL MOUNT
  13. MB-6-10-\*S-AX IS 100CC HAND DRUM PUMP FITTED BRONZE CW307G 360° DRUM FITTING
- THESE ARE ATEX/IECEX UPGRADE FOR HAZARDOUS AREAS  
 CONSULT FACTORY IF IN DOUBT.  
 UNDER THE TERMS OF OUR ATEX/IECEX/UKEX CERTIFICATION,  
 THE PRODUCT CANNOT BE MODIFIED.

INLET CONNECTION  
 HOSE TAIL TO 12 BORE TUBE  
 NO STRAINER FITTED

VIEW ON B  
 HANDLE REMOVED FOR CLARITY



UNLESS OTHERWISE STATED:  
 DIMENSIONS IN MILLIMETRES  
 SURFACE FINISH IN MICROMETRES  
 REMOVE SHARP EDGES

© COPYRIGHT 1999 SARUM HYDRAULICS LTD.			
		SARUM HYDRAULICS LTD.	
		P.O. BOX 48, SALISBURY SP1 3YB TEL. 01722 328388 FAX. 01722 414307	
TITLE		DRAWING NO.	
HAND DRUM PUMP 100CC DRUM/LOW PRESSURE ATEX IECEX		MB-6-10-ATEX	
MATERIAL PER NOTE		DRAWING NO.	
FINISH -		DRAWING NO.	
ISS.	D.C.N.	CHANGE DESCRIPTION & DATE	DATE IMPLEMENTED
1		FIRST ISSUE	04/14