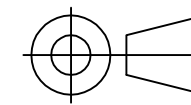
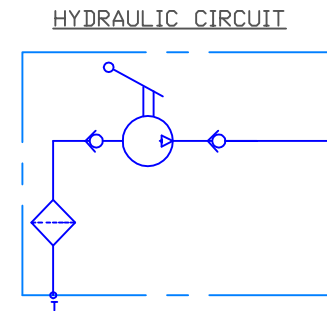
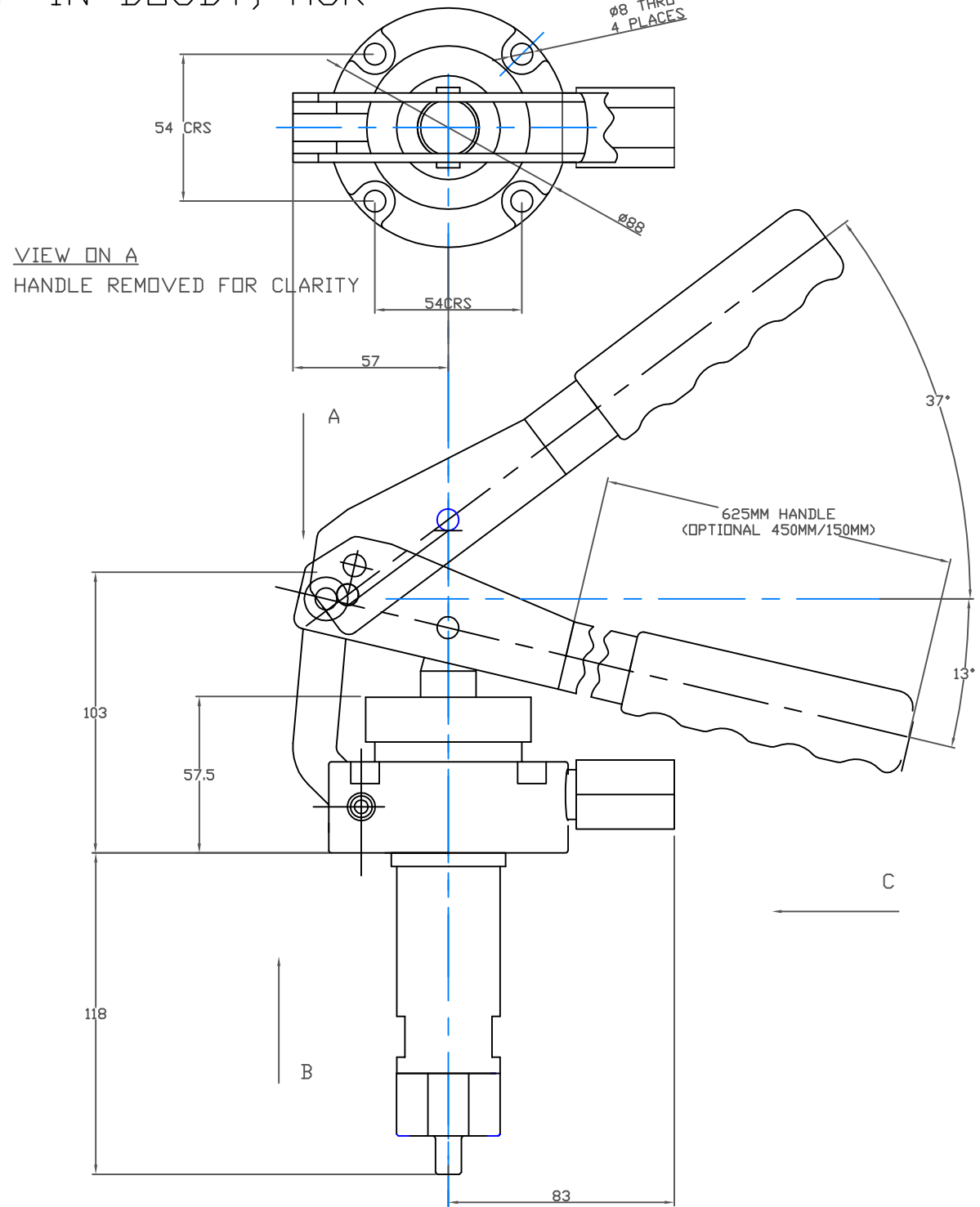


IF IN DOUBT, ASK

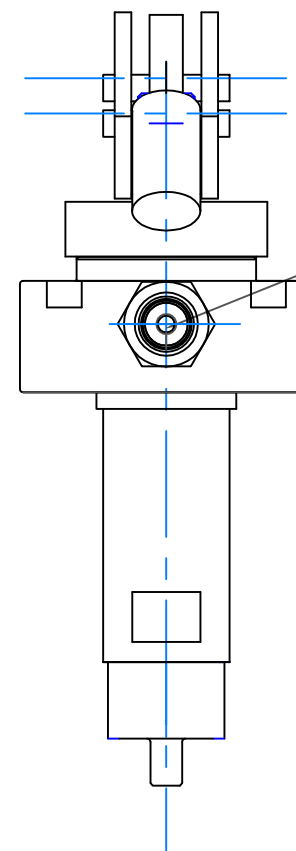
THIRD ANGLE PROJECTION



TOLERANCES UNLESS OTHERWISE STATED
 GENERAL TOLERANCES: NO DEC. PLACE +/-1.0mm, ONE DEC. PLACE +/-0.3mm, TWO DEC. PLACE +/-0.1mm
 RIGHT ANGLE BENDS & OTHER ANGLES +/-1°
 MACHINED DIAMETERS CONCENTRIC WITHIN +/-0.1mm T.I.R.
 SCREW THREADS ARE ISO METRIC COARSE PITCH
 TOL. 6g/6h (MED. FIT) TO BS3643
 WIRE DIA./PLATE THICKNESS TO COMMERCIAL LIMITS
 GEOMETRICAL TOLERANCING TO BS308 PART 3

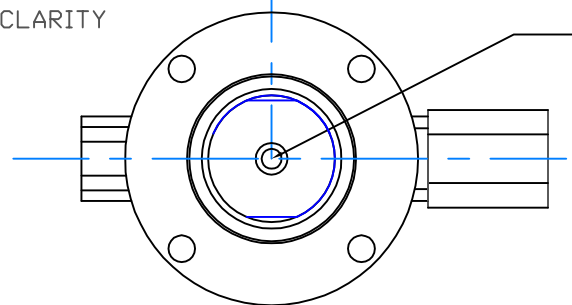


VIEW ON C
HANDLE REMOVED FOR CLARITY



OUTLET PORT
G3/8 FEMALE
OPTIONAL ALTERNATIVE THREADS

VIEW ON B
HANDLE REMOVED FOR CLARITY



INLET 9.52Ø STANDPIPE
ALSO 3/8NPT FEMALE INLET ON
DRAWING NO. 383000100
NO STRAINER FITTED INSIDE HOUSING

- NOTES.
1. UNIT MANUFACTURED FROM SARUM HYDRAULICS MICROPAC PUMP COMPONENTS.
 2. MATERIALS OF CONSTRUCTION;
316 STAINLESS
HOMOPOLYMER
HARD CHROME PLATED 316 STAINLESS PIVOT PINS
NYLON WASHERS, PVC GRIP.
SEALS PTFE, NITRILE, UHMWP
 3. DIMENSIONS IN MM
 4. WORKING FLUID- WATER, OIL, GLYCOLS
 5. MASS 3KG
 6. DISPLACEMENT 25CC PER DOUBLE STROKE TO 207 BAR
 7. INLET AND OUTLET CHECK VALVES FITTED
 8. PUMP IS DOUBLE ACTING (PUMPS ON UP AND DOWN STROKES)
 9. OUTLET CHECK VALVE- STAINLESS STEEL POPPET,
 10. INLET STRAINER NOTE FITTED IN BARREL HOUSING (OPTIONAL)
 11. HANDLE LOAD 374N AT 207 BAR WITH 625MM HANDLE
 12. OPTIONAL 450MM AND 150MM HANDLES
 13. SEE DATA SHEET 383004400 FOR ORDERING CODES

© COPYRIGHT 1999 SARUM HYDRAULICS LTD.

						SARUM HYDRAULICS LTD. P.O. BOX 48, SALISBURY SP1 3YB TEL. 01722 328388 FAX. 01722 414307		DRAWN: JGF APP:	APP:
				TITLE INSTALLATION DRAWING 25cc HAND PUMP 316 STAINLESS STEEL/POLYMER		SCALE: F SIZE SHEET: OF		CAD 2-D 383000300 DRAWING NO.	
				MATERIAL PER NOTE		DRAWING NO.		MU-3-25	
1		FIRST ISSUE		12/14					
ISS.	D.C.N.	CHANGE DESCRIPTION & DATE		DATE IMPLEMENTED	FINISH				

UNLESS OTHERWISE STATED:
DIMENSIONS IN MILLIMETRES
SURFACE FINISH IN MICROMETRES
REMOVE SHARP EDGES