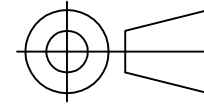
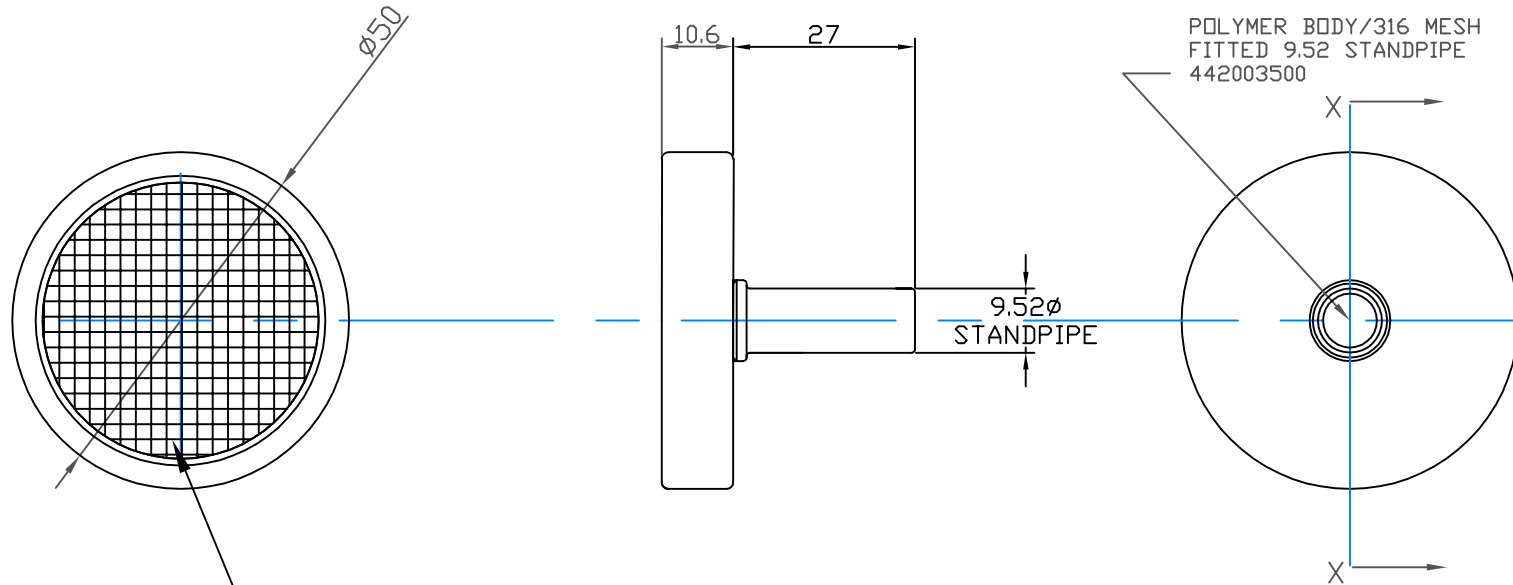


IF IN DOUBT, ASK THIRD ANGLE PROJECTION



TOLERANCES UNLESS OTHERWISE STATED  
 GENERAL TOLERANCES RIGHT ANGLE BENDS &  
 NO DEC. PLACE +/-1.0mm OTHER ANGLES +/-1°  
 ONE DEC. PLACE +/-0.3mm MACHINED DIAMETERS  
 TWO DEC. PLACE +/-0.1mm CONCENTRIC WITHIN  
 +/-0.1mm T.I.R.  
 SCREW THREADS ARE ISO METRIC COARSE PITCH  
 TOL. 6g/6H (MED. FIT) TO BS3643  
 WIRE DIA./PLATE THICKNESS TO COMMERCIAL LIMITS  
 GEOMETRICAL TOLERANCING TO BS308 PART 3



STAINLESS STEEL MESH 316L 60 MESH X 0.160MM WIRE  
 250 MICRON

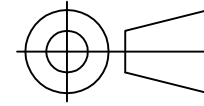
MATERIALS OF CONSTRUCTION  
 316 STAINLESS STEEL  
 POLYMER BODY, PTFE  
 DIMENSIONS IN MM

UNLESS OTHERWISE STATED:  
 DIMENSIONS IN MILLIMETRES  
 SURFACE FINISH IN MICROMETRES  
 REMOVE SHARP EDGES

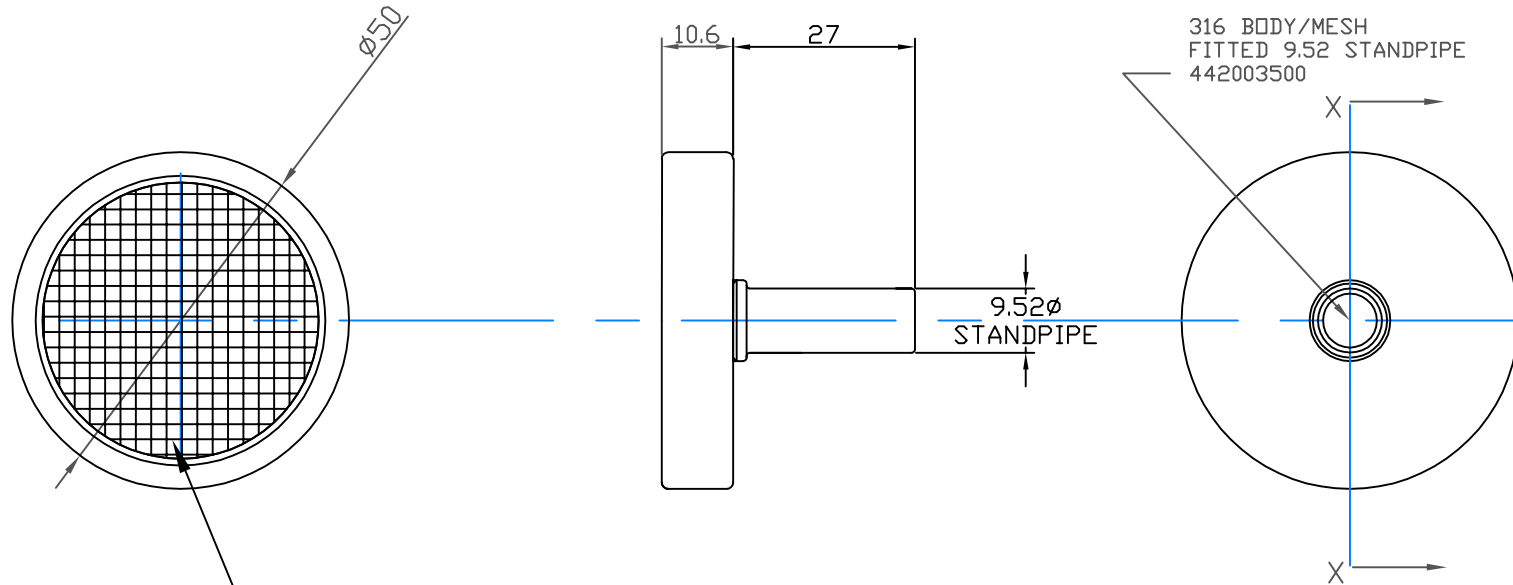
© COPYRIGHT 1997 SARUM HYDRAULICS LTD.

					SARUM HYDRAULICS LTD.		DRAWN JGF.	APP
					P.O. BOX 48, SALISBURY SP1 3YB TEL. 01722 328388 FAX. 01722 414307		SCALE F SIZE	SHEET OF
				TITLE		CAD 2-D 4420040000		DRAWING NO.
				FILTER BODY POLYMER/9.52 316 STANDPIPE		4420040000		
1		FIRST ISSUE	07/18	MATERIAL 316 STAINLESS STEEL, POLYMER				
ISSUE	D.C.N.	CHANGE DESCRIPTION & DATE	DATE IMPLEMENTED	FINISH CLEAN				

IF IN DOUBT, ASK THIRD ANGLE PROJECTION



TOLERANCES UNLESS OTHERWISE STATED  
 GENERAL TOLERANCES RIGHT ANGLE BENDS &  
 NO DEC. PLACE +/-1.0mm OTHER ANGLES +/-1°  
 ONE DEC. PLACE +/-0.3mm MACHINED DIAMETERS  
 TWO DEC. PLACE +/-0.1mm CONCENTRIC WITHIN  
 +/-0.1mm T.I.R.  
 SCREW THREADS ARE ISO METRIC COARSE PITCH  
 TOL. 6g/6H (MED. FIT) TO BS3643  
 WIRE DIA./PLATE THICKNESS TO COMMERCIAL LIMITS  
 GEOMETRICAL TOLERANCING TO BS308 PART 3



STAINLESS STEEL MESH 316L 60 MESH X 0.160MM WIRE  
 250 MICRON

316 BODY/MESH  
 FITTED 9.52 STANDPIPE  
 442003500

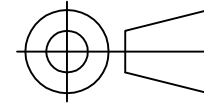
MATERIALS OF CONSTRUCTION  
 316 STAINLESS STEEL  
 PTFE  
 DIMENSIONS IN MM

UNLESS OTHERWISE STATED:  
 DIMENSIONS IN MILLIMETRES  
 SURFACE FINISH IN MICROMETRES  
 REMOVE SHARP EDGES

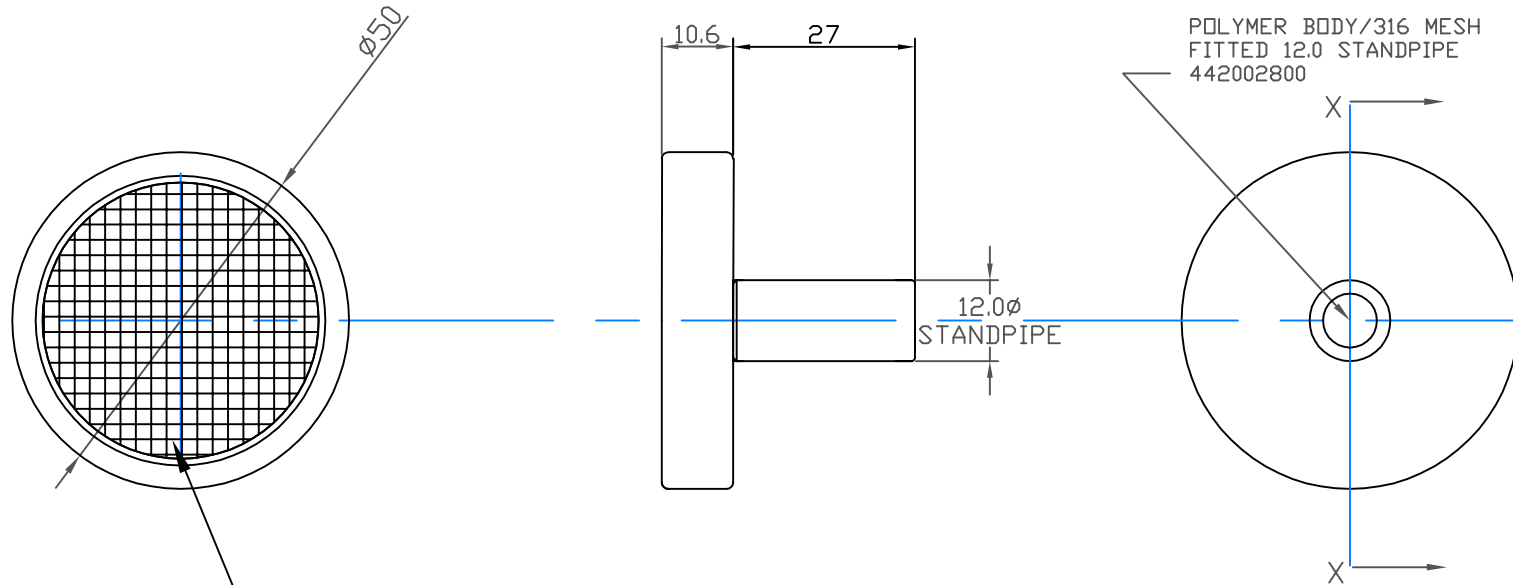
© COPYRIGHT 1997 SARUM HYDRAULICS LTD.

					SARUM HYDRAULICS LTD.		DRAWN JGF.	APP
					P.O. BOX 48, SALISBURY SP1 3YB TEL. 01722 328388 FAX. 01722 414307		SCALE F SIZE	SHEET OF
				TITLE		CAD 2-D 4420041000		DRAWING NO.
				FILTER BODY 316/9.52 316 STANDPIPE MATERIAL 316 STAINLESS STEEL		4420041000		
1	D.C.N.	FIRST ISSUE	07/18	FINISH CLEAN				
ISSUE	D.C.N.	CHANGE DESCRIPTION & DATE	DATE IMPLEMENTED	FINISH CLEAN				

IF IN DOUBT, ASK THIRD ANGLE PROJECTION



TOLERANCES UNLESS OTHERWISE STATED  
 GENERAL TOLERANCES RIGHT ANGLE BENDS &  
 NO DEC. PLACE +/-1.0mm OTHER ANGLES +/-1°  
 ONE DEC. PLACE +/-0.3mm MACHINED DIAMETERS  
 TWO DEC. PLACE +/-0.1mm CONCENTRIC WITHIN  
 +/-0.1mm T.I.R.  
 SCREW THREADS ARE ISO METRIC COARSE PITCH  
 TOL. 6g/6H (MED. FIT) TO BS3643  
 WIRE DIA./PLATE THICKNESS TO COMMERCIAL LIMITS  
 GEOMETRICAL TOLERANCING TO BS308 PART 3



STAINLESS STEEL MESH 316L 60 MESH X 0.160MM WIRE  
 250 MICRON

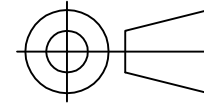
MATERIALS OF CONSTRUCTION  
 316 STAINLESS STEEL  
 POLYMER BODY, PTFE  
 DIMENSIONS IN MM

UNLESS OTHERWISE STATED:  
 DIMENSIONS IN MILLIMETRES  
 SURFACE FINISH IN MICROMETRES  
 REMOVE SHARP EDGES

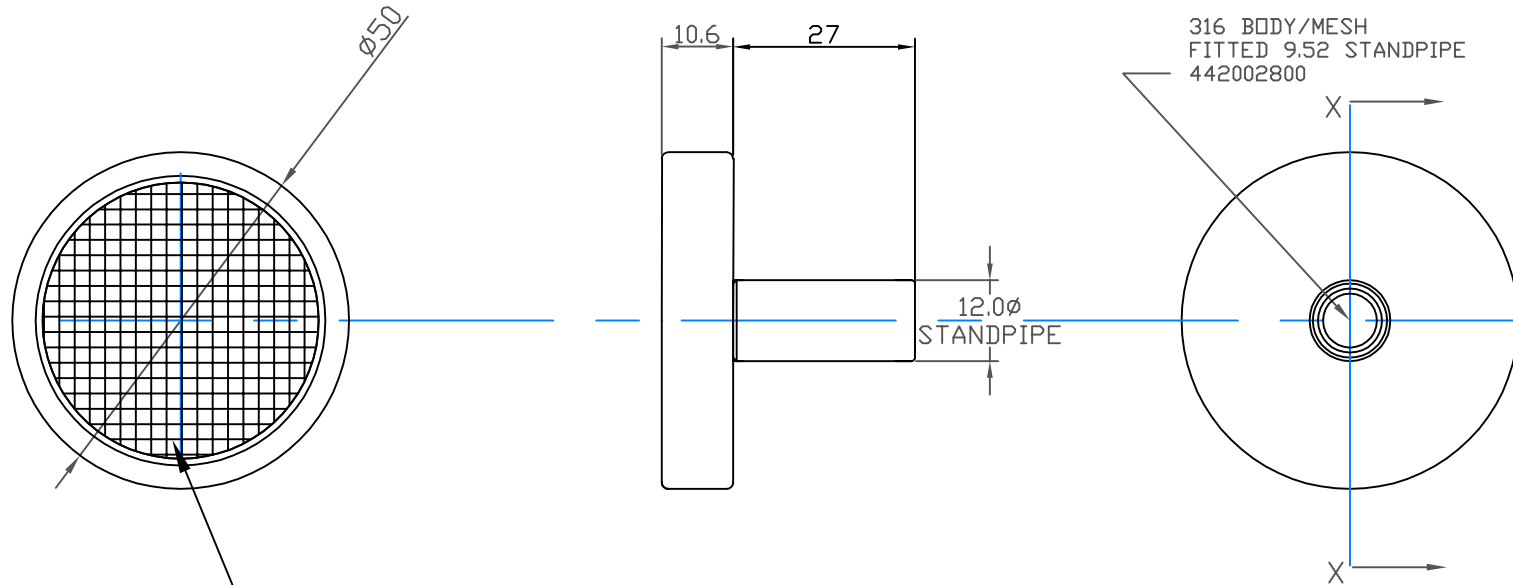
© COPYRIGHT 1997 SARUM HYDRAULICS LTD.

					SARUM HYDRAULICS LTD.		DRAWN JGF.	APP
					P.O. BOX 48, SALISBURY SP1 3YB TEL. 01722 328388 FAX. 01722 414307		SCALE F SIZE	SHEET OF
				TITLE		CAD 2-D 4420042000		DRAWING NO.
				FILTER BODY POLYMER/12.0 $\phi$ 316 STANDPIPE		442004200		
1		FIRST ISSUE	07/18	MATERIAL 316 STAINLESS STEEL, POLYMER				
ISSUE	D.C.N.	CHANGE DESCRIPTION & DATE	DATE IMPLEMENTED	FINISH CLEAN				

IF IN DOUBT, ASK THIRD ANGLE PROJECTION



TOLERANCES UNLESS OTHERWISE STATED  
 GENERAL TOLERANCES RIGHT ANGLE BENDS &  
 NO DEC. PLACE +/-1.0mm OTHER ANGLES +/-1°  
 ONE DEC. PLACE +/-0.3mm MACHINED DIAMETERS  
 TWO DEC. PLACE +/-0.1mm CONCENTRIC WITHIN  
 +/-0.1mm T.I.R.  
 SCREW THREADS ARE ISO METRIC COARSE PITCH  
 TOL. 6g/6H (MED. FIT) TO BS3643  
 WIRE DIA./PLATE THICKNESS TO COMMERCIAL LIMITS  
 GEOMETRICAL TOLERANCING TO BS308 PART 3



STAINLESS STEEL MESH 316L 60 MESH X 0.160MM WIRE  
 250 MICRON

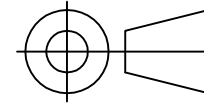
MATERIALS OF CONSTRUCTION  
 316 STAINLESS STEEL  
 PTFE  
 DIMENSIONS IN MM

UNLESS OTHERWISE STATED:  
 DIMENSIONS IN MILLIMETRES  
 SURFACE FINISH IN MICROMETRES  
 REMOVE SHARP EDGES

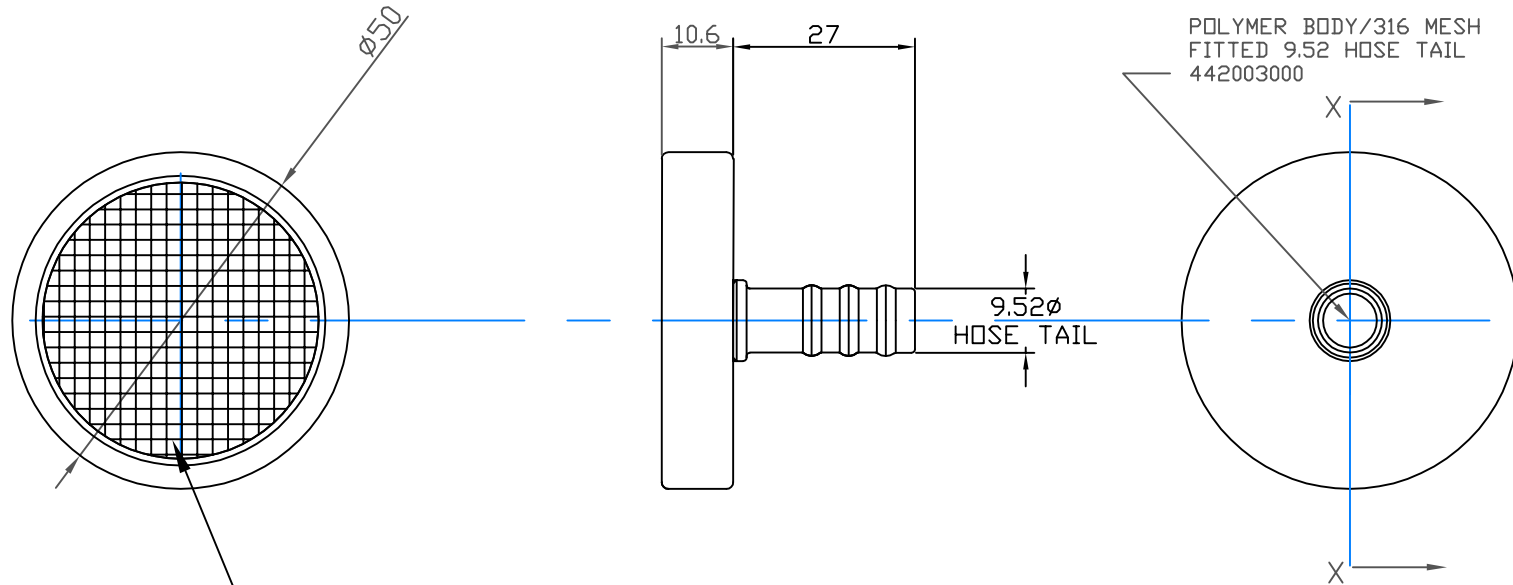
© COPYRIGHT 1997 SARUM HYDRAULICS LTD.

					SARUM HYDRAULICS LTD.		DRAWN JGF.	APP
					P.O. BOX 48, SALISBURY SP1 3YB TEL. 01722 328388 FAX. 01722 414307		SCALE F SIZE	SHEET OF
				TITLE		CAD 2-D 4420043000		DRAWING NO.
				FILTER BODY 316/12.0 $\phi$ 316 STANDPIPE MATERIAL 316 STAINLESS STEEL FINISH CLEAN		4420043000		
1	D.C.N.	FIRST ISSUE	07/18					
ISSUE		CHANGE DESCRIPTION & DATE	DATE IMPLEMENTED					

IF IN DOUBT, ASK THIRD ANGLE PROJECTION



TOLERANCES UNLESS OTHERWISE STATED  
 GENERAL TOLERANCES RIGHT ANGLE BENDS &  
 NO DEC. PLACE +/-1.0mm OTHER ANGLES +/-1°  
 ONE DEC. PLACE +/-0.3mm MACHINED DIAMETERS  
 TWO DEC. PLACE +/-0.1mm CONCENTRIC WITHIN  
 +/-0.1mm T.I.R.  
 SCREW THREADS ARE ISO METRIC COARSE PITCH  
 TOL. 6g/6H (MED. FIT) TO BS3643  
 WIRE DIA./PLATE THICKNESS TO COMMERCIAL LIMITS  
 GEOMETRICAL TOLERANCING TO BS308 PART 3



STAINLESS STEEL MESH 316L 60 MESH X 0.160MM WIRE  
 250 MICRON

POLYMER BODY/316 MESH  
 FITTED 9.52 HOSE TAIL  
 442003000

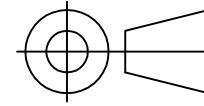
MATERIALS OF CONSTRUCTION  
 316 STAINLESS STEEL  
 POLYMER BODY, PTFE  
 DIMENSIONS IN MM

UNLESS OTHERWISE STATED:  
 DIMENSIONS IN MILLIMETRES  
 SURFACE FINISH IN MICROMETRES  
 REMOVE SHARP EDGES

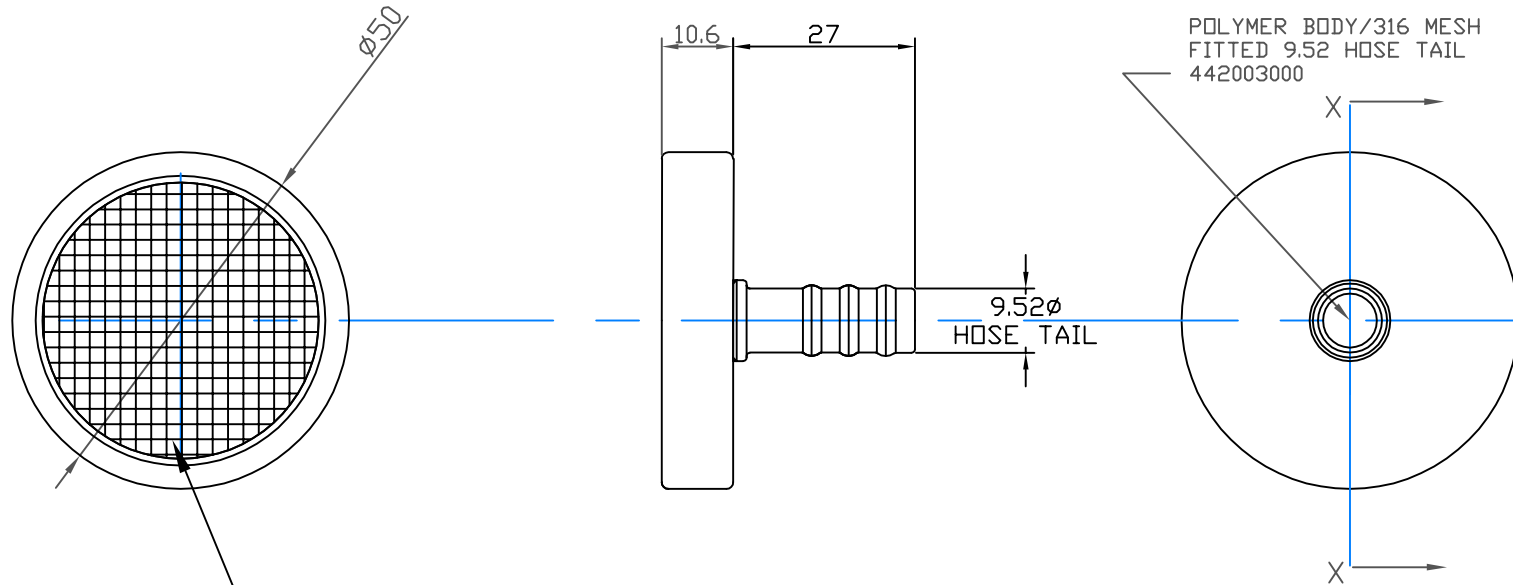
© COPYRIGHT 1997 SARUM HYDRAULICS LTD.

					SARUM HYDRAULICS LTD.		DRAWN JGF.	APP	
					P.O. BOX 48, SALISBURY SP1 3YB TEL. 01722 328388 FAX. 01722 414307		SCALE F	SIZE	SHEET
				TITLE		CAD 2-D		4420044000	
				FILTER BODY POLYMER/9.52 316 HOSETAIL		DRAWING NO.		442004400	
1		FIRST ISSUE	07/18	MATERIAL 316 STAINLESS STEEL, POLYMER					
ISSUE	D.C.N.	CHANGE DESCRIPTION & DATE	DATE IMPLEMENTED	FINISH CLEAN					

IF IN DOUBT, ASK THIRD ANGLE PROJECTION



TOLERANCES UNLESS OTHERWISE STATED  
 GENERAL TOLERANCES RIGHT ANGLE BENDS &  
 NO DEC. PLACE +/-1.0mm OTHER ANGLES +/-1°  
 ONE DEC. PLACE +/-0.3mm MACHINED DIAMETERS  
 TWO DEC. PLACE +/-0.1mm CONCENTRIC WITHIN  
 +/-0.1mm T.I.R.  
 SCREW THREADS ARE ISO METRIC COARSE PITCH  
 TOL. 6g/6H (MED. FIT) TO BS3643  
 WIRE DIA./PLATE THICKNESS TO COMMERCIAL LIMITS  
 GEOMETRICAL TOLERANCING TO BS308 PART 3



STAINLESS STEEL MESH 316L 60 MESH X 0.160MM WIRE  
 250 MICRON

MATERIALS OF CONSTRUCTION  
 316 STAINLESS STEEL.  
 PTFE  
 DIMENSIONS IN MM

UNLESS OTHERWISE STATED:  
 DIMENSIONS IN MILLIMETRES  
 SURFACE FINISH IN MICROMETRES  
 REMOVE SHARP EDGES

© COPYRIGHT 1997 SARUM HYDRAULICS LTD.



SARUM HYDRAULICS LTD.

P.O. BOX 48, SALISBURY SP1 3YB  
 TEL. 01722 328388 FAX. 01722 414307

TITLE

FILTER BODY 316 /9.52 TAIL

MATERIAL 316 STAINLESS STEEL, PTFE

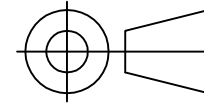
FINISH CLEAN

DRAWN JGF.	APP
	CHKD
SCALE F SIZE	SHEET OF
CAD 2-D	442004500

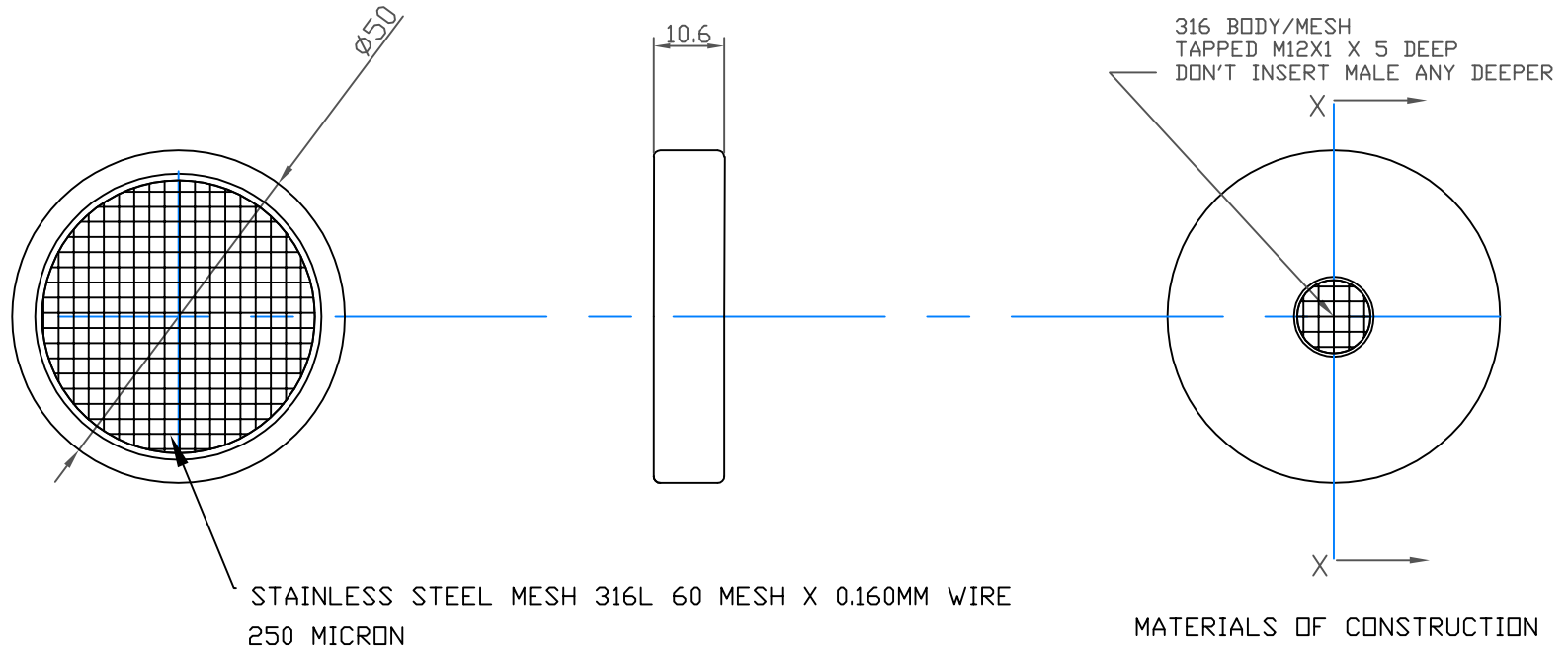
DRAWING NO.  
**442004500**

1	FIRST ISSUE	07/18
ISSUE	D.C.N. CHANGE DESCRIPTION & DATE	DATE IMPLEMENTED

IF IN DOUBT, ASK THIRD ANGLE PROJECTION



TOLERANCES UNLESS OTHERWISE STATED  
 GENERAL TOLERANCES RIGHT ANGLE BENDS &  
 NO DEC. PLACE +/-1.0mm OTHER ANGLES +/-1°  
 ONE DEC. PLACE +/-0.3mm MACHINED DIAMETERS  
 TWO DEC. PLACE +/-0.1mm CONCENTRIC WITHIN  
 +/-0.1mm T.I.R.  
 SCREW THREADS ARE ISO METRIC COARSE PITCH  
 TOL. 6g/6H (MED. FIT) TO BS3643  
 WIRE DIA./PLATE THICKNESS TO COMMERCIAL LIMITS  
 GEOMETRICAL TOLERANCING TO BS308 PART 3



UNLESS OTHERWISE STATED:  
 DIMENSIONS IN MILLIMETRES  
 SURFACE FINISH IN MICROMETRES  
 REMOVE SHARP EDGES

© COPYRIGHT 1997 SARUM HYDRAULICS LTD.



SARUM HYDRAULICS LTD.

P.O. BOX 48, SALISBURY SP1 3YB  
 TEL. 01722 328388 FAX. 01722 414307

DRAWN JGF. APP

CHKD

SCALE F SIZE SHEET OF

CAD 2-D 4420046000

DRAWING NO.

442004600

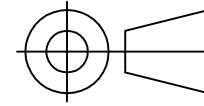
TITLE  
 FILTER BODY 316/M12 x 1 TAPPING

MATERIAL 316 STAINLESS STEEL

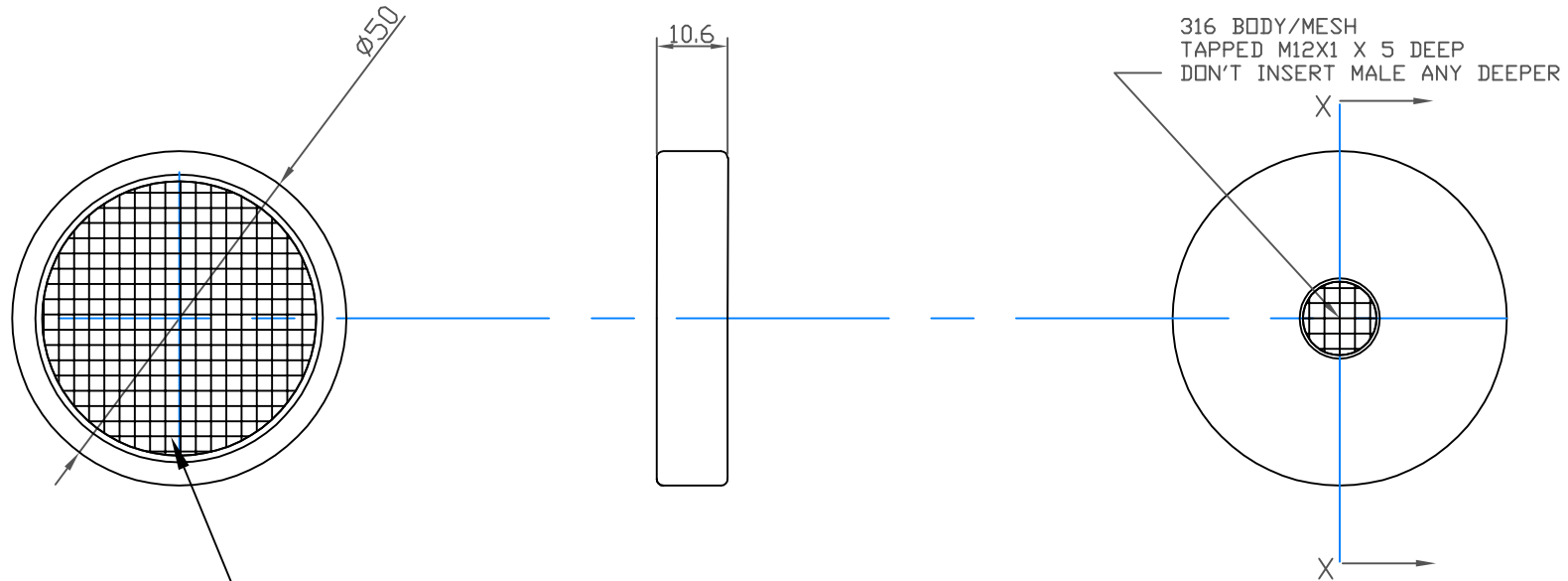
FINISH CLEAN

1	D.C.N.	FIRST ISSUE	07/18
ISSUE		CHANGE DESCRIPTION & DATE	DATE IMPLEMENTED

IF IN DOUBT, ASK THIRD ANGLE PROJECTION



TOLERANCES UNLESS OTHERWISE STATED  
 GENERAL TOLERANCES RIGHT ANGLE BENDS &  
 NO DEC. PLACE +/-1.0mm OTHER ANGLES +/-1°  
 ONE DEC. PLACE +/-0.3mm MACHINED DIAMETERS  
 TWO DEC. PLACE +/-0.1mm CONCENTRIC WITHIN  
 +/-0.1mm T.I.R.  
 SCREW THREADS ARE ISO METRIC COARSE PITCH  
 TOL. 6g/6H (MED. FIT) TO BS3643  
 WIRE DIA./PLATE THICKNESS TO COMMERCIAL LIMITS  
 GEOMETRICAL TOLERANCING TO BS308 PART 3



STAINLESS STEEL MESH 316L 60 MESH X 0.160MM WIRE  
 250 MICRON

MATERIALS OF CONSTRUCTION  
 316 STAINLESS STEEL. POLYMER  
 PTFE  
 DIMENSIONS IN MM

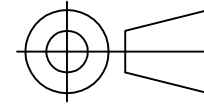
UNLESS OTHERWISE STATED:  
 DIMENSIONS IN MILLIMETRES  
 SURFACE FINISH IN MICROMETRES  
 REMOVE SHARP EDGES

© COPYRIGHT 1997 SARUM HYDRAULICS LTD.

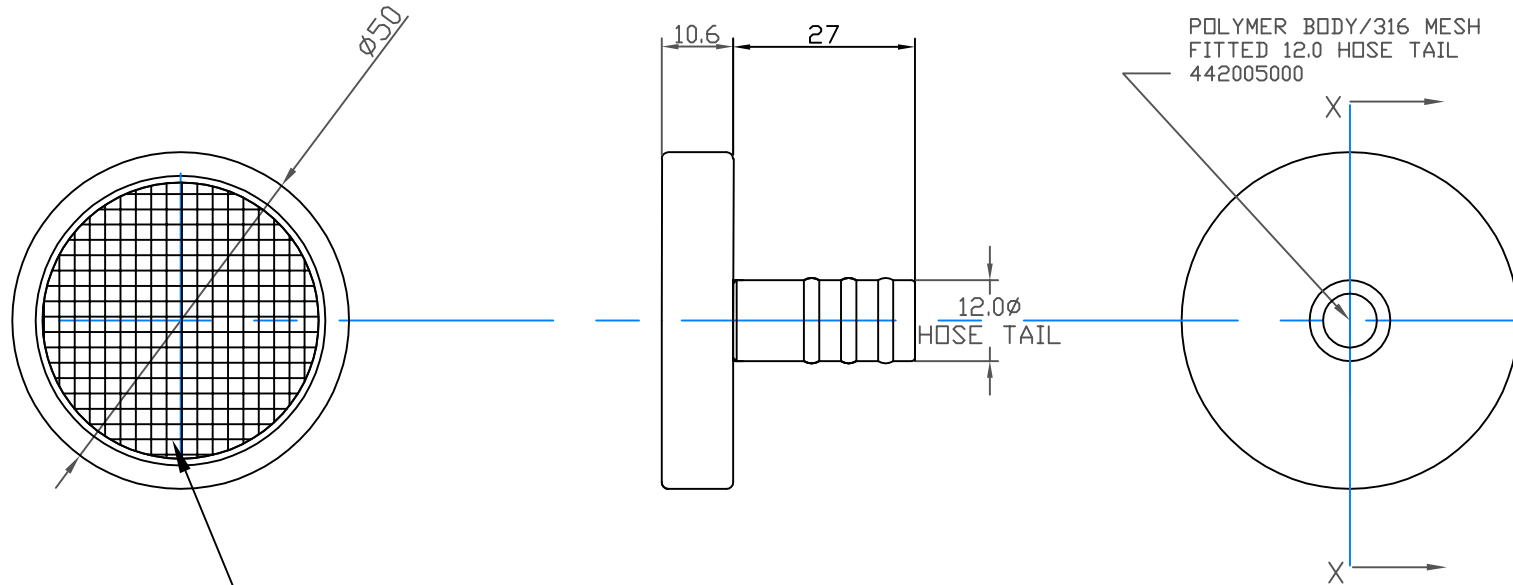
					SARUM HYDRAULICS LTD.		DRAWN JGF.	APP
					P.O. BOX 48, SALISBURY SP1 3YB TEL. 01722 328388 FAX. 01722 414307		SCALE F SIZE	SHEET OF
				TITLE		CAD 2-D 442004700		DRAWING NO.
				FILTER BODY 316 & POLYMER/M12 x 1 TAPPING		442004700		
1	D.C.N.	FIRST ISSUE	07/18	MATERIAL 316 STAINLESS STEEL, POLYMER, PTFE				
ISSUE		CHANGE DESCRIPTION & DATE	DATE IMPLEMENTED	FINISH CLEAN				



IF IN DOUBT, ASK THIRD ANGLE PROJECTION



TOLERANCES UNLESS OTHERWISE STATED  
 GENERAL TOLERANCES RIGHT ANGLE BENDS &  
 NO DEC. PLACE +/-1.0mm OTHER ANGLES +/-1°  
 ONE DEC. PLACE +/-0.3mm MACHINED DIAMETERS  
 TWO DEC. PLACE +/-0.1mm CONCENTRIC WITHIN  
 +/-0.1mm T.I.R.  
 SCREW THREADS ARE ISO METRIC COARSE PITCH  
 TOL. 6g/6H (MED. FIT) TO BS3643  
 WIRE DIA./PLATE THICKNESS TO COMMERCIAL LIMITS  
 GEOMETRICAL TOLERANCING TO BS308 PART 3



STAINLESS STEEL MESH 316L 60 MESH X 0.160MM WIRE  
 250 MICRON

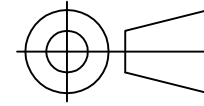
MATERIALS OF CONSTRUCTION  
 316 STAINLESS STEEL  
 POLYMER BODY, PTFE  
 DIMENSIONS IN MM

UNLESS OTHERWISE STATED:  
 DIMENSIONS IN MILLIMETRES  
 SURFACE FINISH IN MICROMETRES  
 REMOVE SHARP EDGES

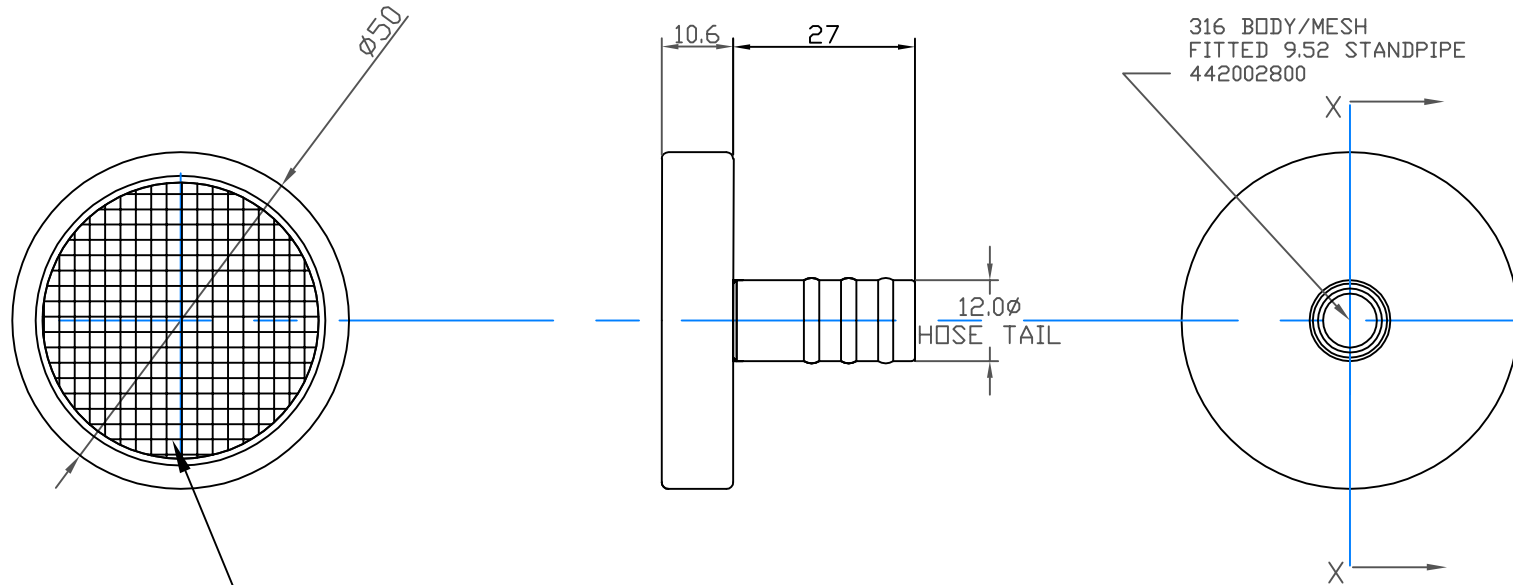
© COPYRIGHT 1997 SARUM HYDRAULICS LTD.

					SARUM HYDRAULICS LTD.		DRAWN JGF.	APP
					P.O. BOX 48, SALISBURY SP1 3YB TEL. 01722 328388 FAX. 01722 414307		SCALE F SIZE	SHEET OF
				TITLE		CAD 2-D 4420048000		DRAWING NO.
				FILTER BODY POLYMER/12.0 $\phi$ 316 HOSE TAIL		4420048000		
1		FIRST ISSUE	07/18	MATERIAL 316 STAINLESS STEEL, POLYMER				
ISSUE	D.C.N.	CHANGE DESCRIPTION & DATE	DATE IMPLEMENTED	FINISH CLEAN				

IF IN DOUBT, ASK THIRD ANGLE PROJECTION



TOLERANCES UNLESS OTHERWISE STATED  
 GENERAL TOLERANCES RIGHT ANGLE BENDS &  
 NO DEC. PLACE +/-1.0mm OTHER ANGLES +/-1°  
 ONE DEC. PLACE +/-0.3mm MACHINED DIAMETERS  
 TWO DEC. PLACE +/-0.1mm CONCENTRIC WITHIN  
 +/-0.1mm T.I.R.  
 SCREW THREADS ARE ISO METRIC COARSE PITCH  
 TOL. 6g/6H (MED. FIT) TO BS3643  
 WIRE DIA./PLATE THICKNESS TO COMMERCIAL LIMITS  
 GEOMETRICAL TOLERANCING TO BS308 PART 3



STAINLESS STEEL MESH 316L 60 MESH X 0.160MM WIRE  
 250 MICRON

316 BODY/MESH  
 FITTED 9.52 STANDPIPE  
 442002800

MATERIALS OF CONSTRUCTION  
 316 STAINLESS STEEL  
 PTFE  
 DIMENSIONS IN MM

UNLESS OTHERWISE STATED:  
 DIMENSIONS IN MILLIMETRES  
 SURFACE FINISH IN MICROMETRES  
 REMOVE SHARP EDGES

© COPYRIGHT 1997 SARUM HYDRAULICS LTD.

					SARUM HYDRAULICS LTD.		DRAWN JGF.	APP
					P.O. BOX 48, SALISBURY SP1 3YB TEL. 01722 328388 FAX. 01722 414307		SCALE F SIZE	SHEET OF
				TITLE		CAD 2-D 4420049000		DRAWING NO.
				FILTER BODY 316/12.0φ 316 HOSE TAIL MATERIAL 316 STAINLESS STEEL		4420049000		
1	D.C.N.	FIRST ISSUE	07/18	FINISH CLEAN				
ISSUE		CHANGE DESCRIPTION & DATE	DATE IMPLEMENTED					