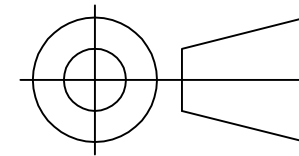
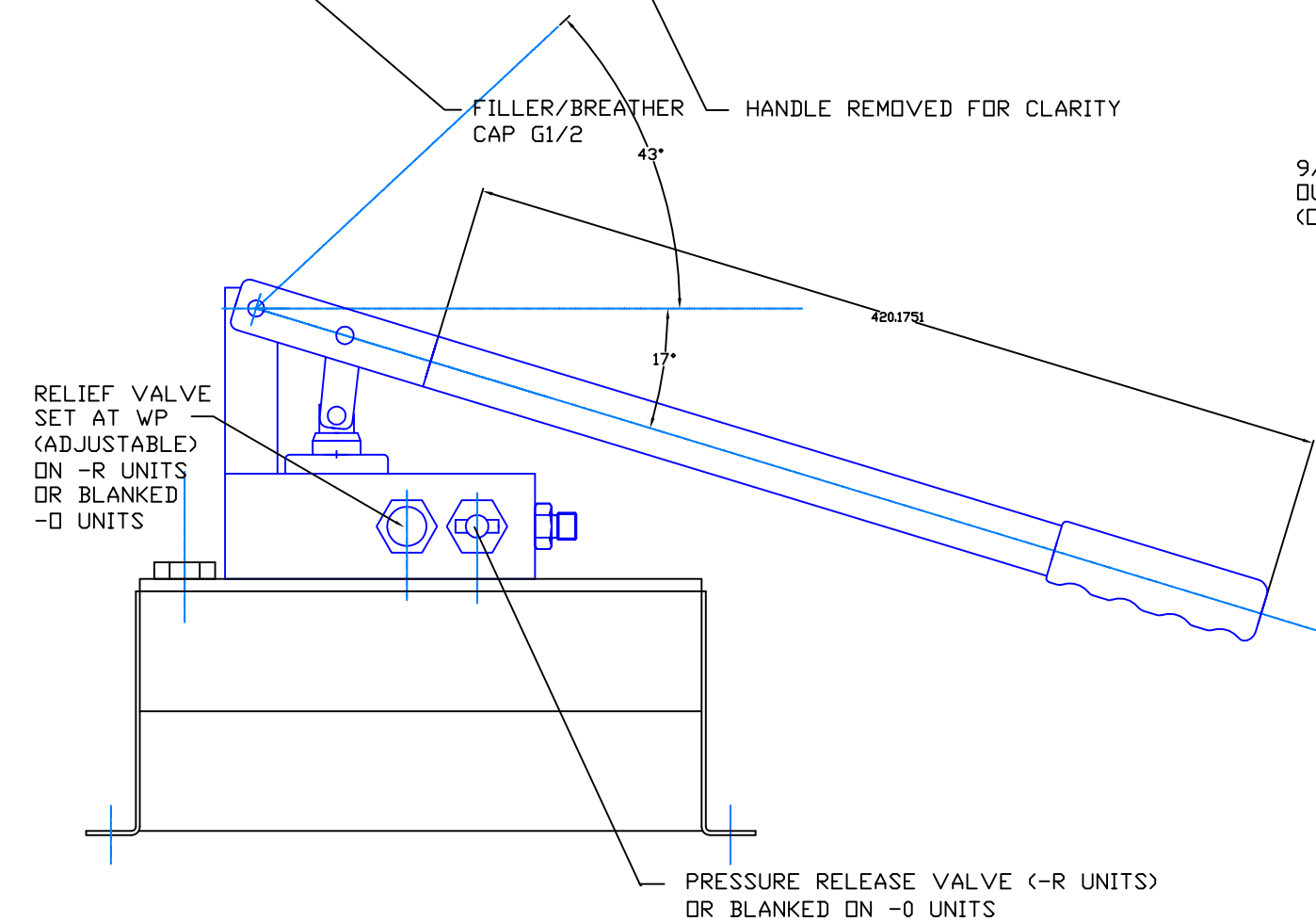
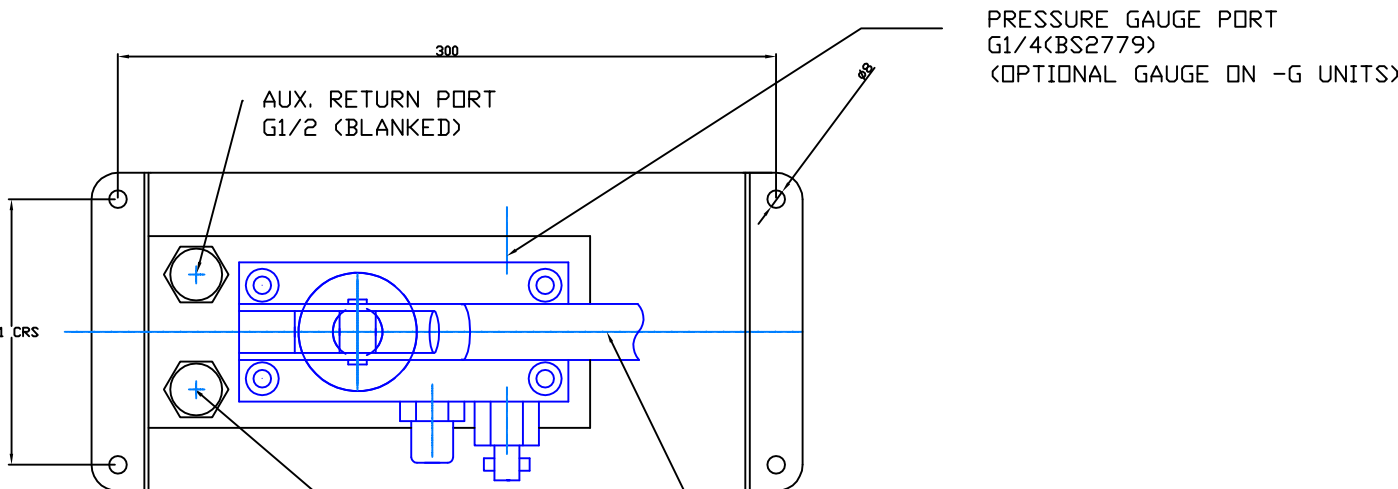


IF IN DOUBT, ASK

THIRD ANGLE PROJECTION

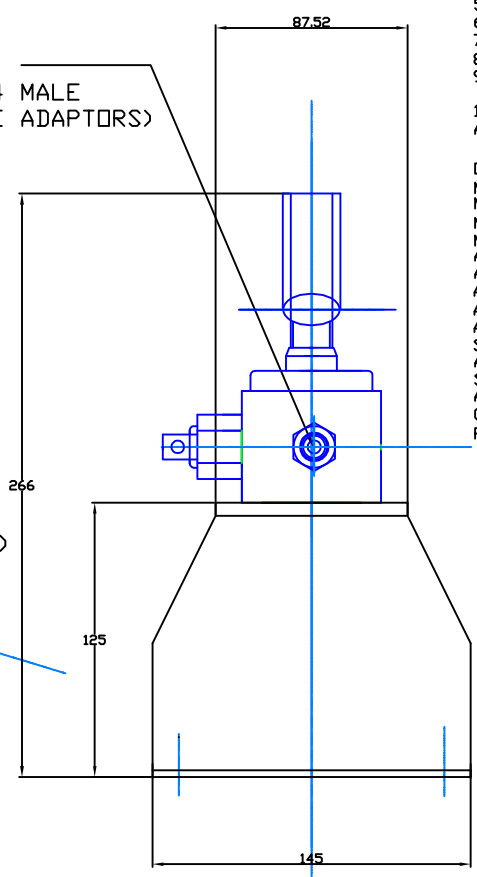


TOLERANCES UNLESS OTHERWISE STATED
 GENERAL TOLERANCES RIGHT ANGLE BENDS &
 NO DEC. PLACE +/-1.0mm OTHER ANGLES +/-1°
 ONE DEC. PLACE +/-0.3mm MACHINED DIAMETERS
 TWO DEC. PLACE +/-0.1mm CONCENTRIC WITHIN
 +/-0.1mm T.I.R.
 SCREW THREADS ARE ISO METRIC COARSE PITCH
 TOL. 6g/6H (MED. FIT) TO BS3643
 WIRE DIA./PLATE THICKNESS TO COMMERCIAL LIMITS
 GEOMETRICAL TOLERANCING TO BS308 PART 3



9/16/UNF/SAE FEMALE
 OUTLET PORT FITTED G1/4 MALE
 (OPTIONAL MALE & FEMALE ADAPTORS)

HANDLE LOAD
 AT MAX. PRESS.
 444 N (625mm HANDLE)



NOTES
 1. PRESSURE/DISPLACEMENTS
 7CC/DOUBLE STROKE TO 700 BAR
 12CC/DOUBLE STROKE TO 407 BAR
 25CC/DOUBLE STROKE TO 207 BAR
 49CC/DOUBLE STROKE TO 102 BAR
 2. PUMP USES MICROPAC STANDARD HAND PUMP UNIT
 MW-3-12/25/49 MATERIALS OPTIONS FOR WATER/OILS/GLYCOLS PLUS MULTIPLE FLUIDS
 CONSULT FACTORY IF IN DOUBT
 3. MATERIALS OF CONSTRUCTION
 EXTERNAL
 STAINLESS STEEL 1.4404/ 316
 ALUMINIUM BRONZE CW307G
 WETTED
 STAINLESS STEEL 316,303,304,302,431,420
 ALUMINIUM BRONZE CW307G
 NYLON, ACETAL, PVC
 SEALS: NITRILE, FILLED PTFE, PTFE, UHMWP
 4. MASS 8 KG
 5. DIMENSIONS IN mm
 6. SPECIFICATION SUBJECT TO REVISION
 7. FOR ALTERNATIVE FLUIDS/SEAL COMPOUNDS -CONSULT FACTORY
 8. OPERATING TEMPERATURE RANGE -20 TO +80 DEG C SUBJECT TO FLUID
 9. STANDARD UNIT SUPPLIED WITH 4 LITRE INTEGRAL RESERVOIR IN 316 STAINLESS
 FITTED WITH G1/2 FILLER BREATHER IN POLYMER & AUXILIARY G1/2 PORT (BLANKED)
 10. SYSTEM DESIGN, INSTALLATION, USE & MAINTENANCE TO BE IN
 ACCORDANCE WITH STATUTORY & OTHER REQUIREMENTS
 ORDERING CODE ON HAND PUMP
 MG-3-7 BASIC 7CC/700 BAR 316SS/BRONZE PUMP
 MG-3-12 BASIC 12CC/407 BAR 316SS/BRONZE PUMP
 MG-3-25 BASIC 25CC/207 BAR 316SS/BRONZE PUMP
 MG-3-49 BASIC 49CC/102 BAR 316SS/BRONZE PUMP
 ADD HANDLE, -4 IS 450MM, -6 IS 625MM
 ADD SEALS, -N IS STANDARD NITRILE/UHMWP/PTFE, -V IS FLUOROCARBON, -E IS EPDM
 ADD TEST FLUID, -W IS WATER, -O IS MINERAL OIL
 ADD RELEASE/HOLD VALVE, -R IS RELEASE/ HOLD VALVE FITTED, -0 IS PLUGGED
 ADD GAUGE OPTION, -G IS 63MM MAX RANGE PUMP BAR, -0 IS PLUGGED.
 SPECIFY ON ORDER IF DIFFERENT GAUGE RANGE
 ADD RELIEF VALVE OPTION, -R IS RELIEF VALVE FITTED, SET MAX RANGE PUMP BAR, -0 PLUGGED
 SPECIFY ALTERNATE RANGE ON ORDER.
 ADD 4 LITRE FIXED RESERVOIR -5F
 CONSULT FACTORY IF IN DOUBT.
 PARTS UNITS ASSEMBLED TOGETHER TO FORM INTEGRAL MG OFFSHORE PUMP UNIT.

UNLESS OTHERWISE STATED:
 DIMENSIONS IN MILLIMETRES
 SURFACE FINISH IN MICROMETRES
 REMOVE SHARP EDGES

DRAWING 403000100 FOR OFFSHORE MG OFFSHORE PUMP ON 4L FIXED RESERVOIR

© COPYRIGHT SARUM HYDRAULICS LTD.



SARUM HYDRAULICS LTD.

P.O. BOX 48, SALISBURY SP1 3YB
 TEL. 01722 328388 FAX. 01722 414307

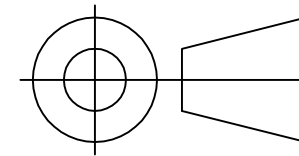
TITLE
 INSTALLATION DRAWING MICROPAC MG PUMP/FIXED RESERVOIR UNIT

MATERIAL PER NOTE
 FINISH PER NOTE

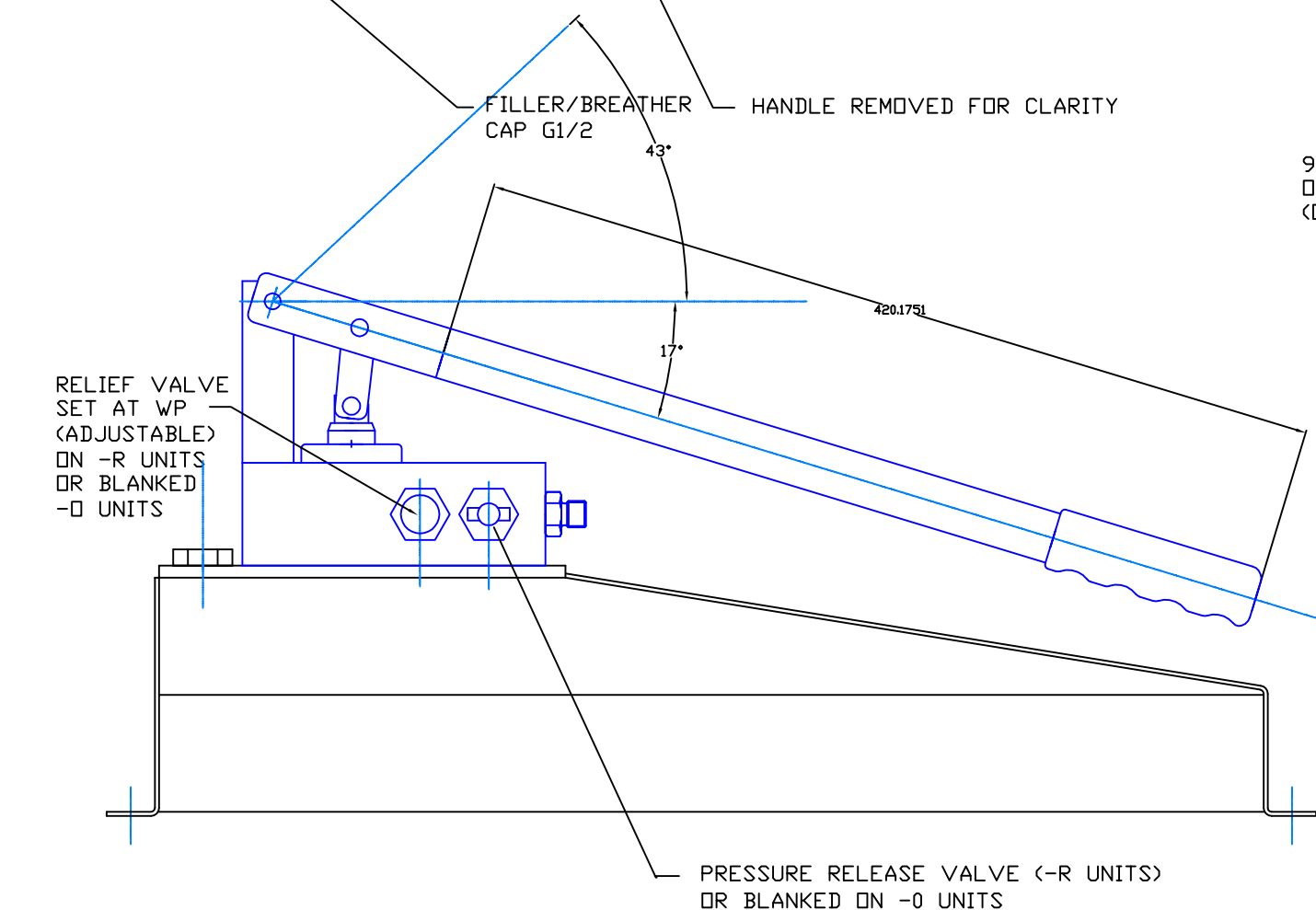
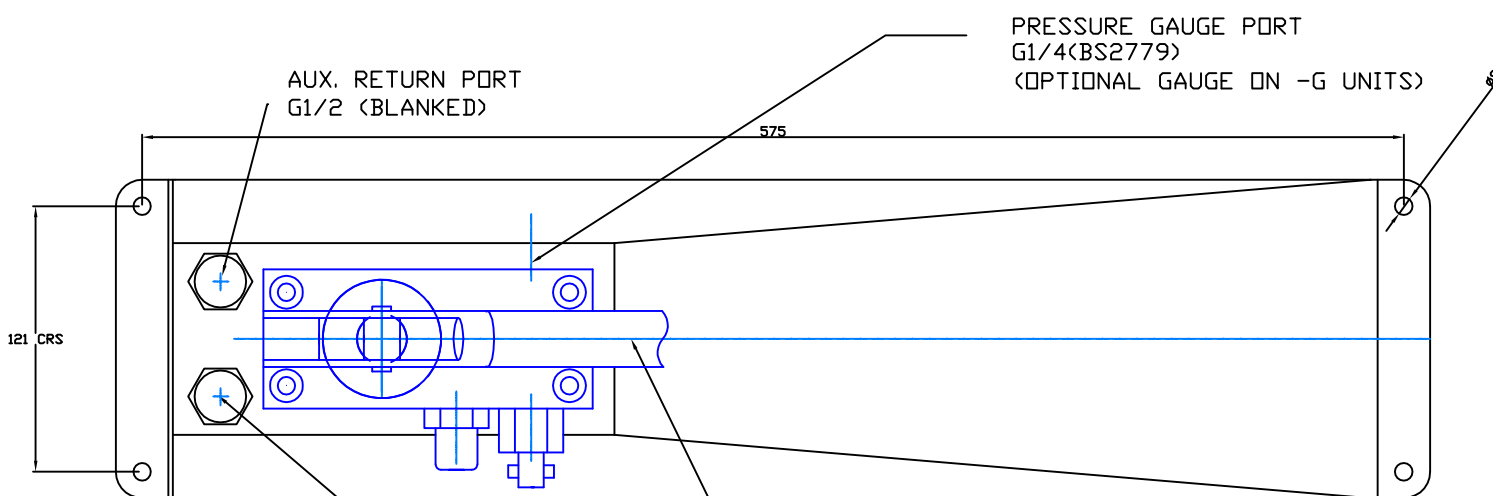
DRAWN	JGF	APP
		CHKD
SCALE	F	SIZE
SHEET		OF
CAD 2-D	403000100	
DRAWING NO.	MG-**-5F	

ISSUE	D.C.N.	CHANGE DESCRIPTION & DATE	DATE IMPLEMENTED
5	2005261	UPDATE NOTE	05/20
4	1611 291	WAS 5L RESERVOIR ES	11/16
3	1611011	ADD "MG" ORDERING CODES	11/16
2	1511105	MOD RESERVOIR	11/15
1		FIRST ISSUE	05/13

IF IN DOUBT, ASK THIRD ANGLE PROJECTION

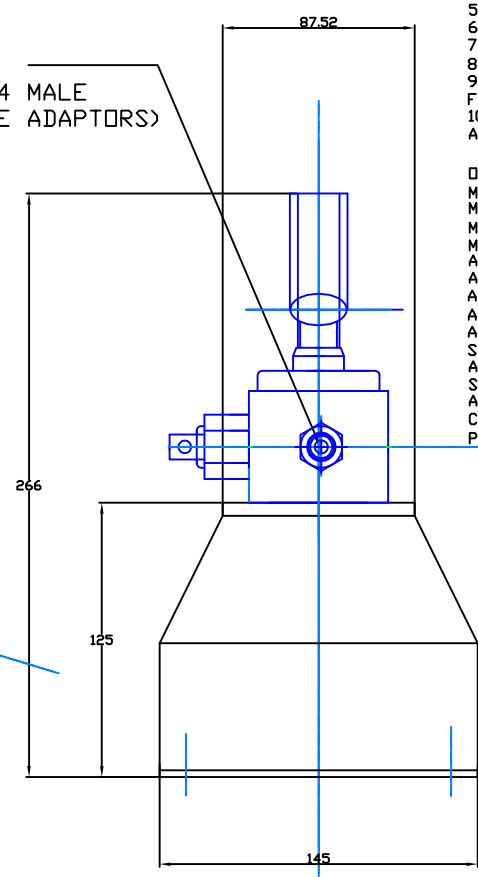


TOLERANCES UNLESS OTHERWISE STATED
 GENERAL TOLERANCES RIGHT ANGLE BENDS &
 NO DEC. PLACE +/-1.0mm OTHER ANGLES +/-1°
 ONE DEC. PLACE +/-0.3mm MACHINED DIAMETERS
 TWO DEC. PLACE +/-0.1mm CONCENTRIC WITHIN
 +/-0.1mm T.I.R.
 SCREW THREADS ARE ISO METRIC COARSE PITCH
 TOL. 6g/6H (MED. FIT) TO BS3643
 WIRE DIA./PLATE THICKNESS TO COMMERCIAL LIMITS
 GEOMETRICAL TOLERANCING TO BS308 PART 3



9/16/UNF/SAE FEMALE
 OUTLET PORT FITTED G1/4 MALE
 (OPTIONAL MALE & FEMALE ADAPTORS)

HANDLE LOAD AT MAX. PRESS.
 444 N (625mm HANDLE)



NOTES
 1. PRESSURE/DISPLACEMENTS
 7CC/DOUBLE STROKE TO 700 BAR
 12CC/DOUBLE STROKE TO 407 BAR
 25CC/DOUBLE STROKE TO 207 BAR
 49CC/DOUBLE STROKE TO 102 BAR
 2. PUMP USES MICROPAC STANDARD HAND PUMP UNIT
 MW-3-12/25/49 MATERIALS OPTIONS FOR WATER/OILS/GLYCOLS PLUS MULTIPLE FLUIDS
 CONSULT FACTORY IF IN DOUBT
 3. MATERIALS OF CONSTRUCTION
 EXTERNAL
 STAINLESS STEEL 1.4404/ 316
 ALUMINIUM BRONZE CW307G
 WETTED
 STAINLESS STEEL 316,303,304,302,431,420
 ALUMINIUM BRONZE CW307G
 NYLON, ACETAL, PVC
 SEALS: NITRILE, FILLED PTFE, PTFE, UHMWP
 4. MASS 11 KG
 5. DIMENSIONS IN mm
 6. SPECIFICATION SUBJECT TO REVISION
 7. FOR ALTERNATIVE FLUIDS/SEAL COMPOUNDS -CONSULT FACTORY
 8. OPERATING TEMPERATURE RANGE -20 TO +80 DEG C SUBJECT TO FLUID
 9. STANDARD UNIT SUPPLIED WITH 5 LITRE INTEGRAL RESERVOIR IN 316 STAINLESS
 FITTED WITH G1/2 FILLER/BREATHER IN POLYMER & AUXILIARY G1/2 PORT (BLANKED)
 10. SYSTEM DESIGN, INSTALLATION, USE & MAINTENANCE TO BE IN ACCORDANCE WITH STATUTORY & OTHER REQUIREMENTS

ORDERING CODE ON HAND PUMP/RESERVOIR UNIT
 MG-3-7 BASIC 7CC/700 BAR 316SS/BRONZE PUMP
 MG-3-12 BASIC 12CC/407 BAR 316SS/BRONZE PUMP
 MG-3-25 BASIC 25CC/207 BAR 316SS/BRONZE PUMP
 MG-3-49 BASIC 49CC/102 BAR 316SS/BRONZE PUMP
 ADD HANDLE, -4 IS 450MM, -6 IS 625MM
 ADD SEALS, -N IS STANDARD NITRILE/UHMWP/PTFE, -V IS FLUOROCARBON, -E IS EPDM
 ADD TEST FLUID, -W IS WATER, -O IS MINERAL OIL
 ADD RELEASE/HOLD VALVE, -R IS RELEASE/ HOLD VALVE FITTED, -D IS PLUGGED
 ADD GAUGE OPTION, -G IS 63MM MAX RANGE PUMP BAR, -0 IS PLUGGED.
 SPECIFY ON ORDER IF DIFFERENT GAUGE RANGE
 ADD RELIEF VALVE OPTION, -R IS RELIEF VALVE FITTED, SET MAX RANGE PUMP BAR, -D PLUGGED
 SPECIFY ALTERNATE RANGE ON ORDER.
 ADD 5 LITRE PORTABLE RESERVOIR -5P
 CONSULT FACTORY IF IN DOUBT.
 PARTS UNITS ASSEMBLED TOGETHER TO FORM INTEGRAL MG SERIES OFFSHORE PUMP UNIT.

UNLESS OTHERWISE STATED:
 DIMENSIONS IN MILLIMETRES
 SURFACE FINISH IN MICROMETRES
 REMOVE SHARP EDGES

DRAWING 445000100 FOR OFFSHORE MG PUMP ON PORTABLE 5L RESERVOIR

© COPYRIGHT SARUM HYDRAULICS LTD.



SARUM HYDRAULICS LTD.

P.O. BOX 48, SALISBURY SP1 3YB
 TEL. 01722 328388 FAX. 01722 414307

TITLE
 INSTALLATION DRAWING MICROPAC MG PUMP/PORTABLE RESERVOIR UNIT

MATERIAL PER NOTE
 FINISH PER NOTE

DRAWN	JGF	APP	
		CHKD	
SCALE	F	SIZE	SHEET OF
CAD	2-D		445000100
DRAWING NO.	MG-**-5P		

ISSUE	D.C.N.	CHANGE DESCRIPTION & DATE	DATE IMPLEMENTED
2	1611011	ADD "MG" ORDERING CODES	11/16
1		FIRST ISSUE	11/15