



Micropac® Pressure Testing & Filling Unit for Potentially Explosive Atmospheres

ADJUSTABLE RELIEF VALVE (WHERE FITTED)

450/625mm OPERATING HANDLE, DETACHABLE, WITH CARRYING HOOK

63mm PRESSURE GAUGE (OPTIONAL)

9/16"-18 UNF/SAE OUTLET PORT

PRESSURE HOLD/ RELEASE VALVE (WHERE)

RESERVOIR WITH FOOTPLATE FOR STABILITY

Serviceable
for sustainability

TYPICAL APPLICATIONS:
HYDROSTATIC PRESSURE TESTING
CALIBRATION
PROOF TESTING
FILLING & CHARGING e.g. 'SKYDROL' SYSTEMS
HYDRAULIC CYLINDER ACTUATION
MANUAL OVER-RIDE/ SHUTDOWN SYSTEMS
⊠ SEE OVERLEAF FOR SUITABILITY TO ENVIRONMENT

Made in England

4 WHEEL STAINLESS TURNABLE TROLLEY VERSION

INTEGRAL TROLLEY VERSION WITH HOSE STORAGE. SEE ALSO OUR 'DUO' DATASHEET PORTABLE COMBINED AIR OPERATED & HAND PUMP UNIT

UKEX, ATEX and IEC Ex certified FEATURES

- Available for carrying by hand or with integral trolley
- Lightweight fabricated reservoirs in 316 stainless
- Reservoir capacities 5 - 50 litres, with filler/breather cap
- Ergonomically designed for ease of operation
- Double acting operation- pumps on up & down strokes
- 316 stainless steel/ aluminium bronze construction
- Five models cover max. pressures 50 - 700 bar
- Compatible with water, oil and other liquids
- Sturdy construction- suitable for extreme environments
- Long life hard chromed stainless piston rod
- Dirt excluder and PTFE low friction sealing
- Soft-seat check valve for positive sealing
- Pressure gauge, release & relief valve options
- User serviceable sealing & seating components
- Detachable 450mm or 625mm operating handle
- Nitrile seals standard - optional EPDM/ Viton®
- Reliable- quality British design & manufacture
- Factory support for product and application

SUITABILITY FOR THE OPERATING ENVIRONMENT

Atmosphere

All equipment intended for use in potentially explosive atmospheres is marked in accordance with the requirements of the Equipment and Protective Systems Intended for use in Potentially Explosive Atmospheres Regulations 2016, the ATEX Directive 2014/34/EU, and BS EN ISO 80079-36:2016 .

The product nameplate shows

- the manufacturer (Sarum Hydraulics Ltd.)
- the product type identification
- the UKCA marking, denoting conformity with the Equipment and Protective Systems Intended for use in Potentially Explosive Atmospheres Regulations 2016
- the CE marking, denoting conformity with all the essential requirements of the ATEX Directive 2014/34/EU
- marking as detailed below, denoting the compatibility of the equipment within the operating environment, firstly as defined by the Equipment and Protective Systems Intended for use in Potentially Explosive Atmospheres Regulations 2016 and the ATEX Directive 2014/34/EU and then as defined by the requirements of BS EN ISO 80079-36:2016
- serial number
- certificate issuer and reference in the defined form

UK
CA

CE

Ex

II 2 G Ex h IIC T6 Gb

Ex

II 2 D Ex h IIIC T85°C Db

According to the Equipment and Protective Systems Intended for use in Potentially Explosive Atmospheres Regulations 2016 and the ATEX Directive 2014/34/EU, the marking denotes that the equipment is non-electrical intended to be used in Surface Industry classified as both Gas Explosive Atmosphere - Zone 1 and Explosive Atmosphere of Combustible Dust - Zone 21.

According to BS EN ISO 80079-36:2016, the marking denotes that the equipment is non-electrical conforming to this standard both for EPL Gb for use in explosive gas atmospheres of Group IIC and ignition temperature greater than 85 °C, and for EPL Db for explosive dust atmospheres containing dusts of Group IIIC and maximum surface temperature less than 85 °C.

Media

Subject to suitability of materials of construction, the unit is compatible for operation with group 1 liquids up to 500 bar and group 2 liquids up to 1000 bar according to the classification of liquids under the Pressure Equipment Directive 2014/68/EU, which cross refers to the Classification, Labelling and Packaging (CLP) Directive 1272/2008. These may be summarised as follows, but the text of the Directive Article 13 paragraph 1 fully defines those substances categorised as groups 1 and 2.

Group 1: explosive, extremely flammable, highly flammable, flammable (where the maximum allowable temperature is above flashpoint), toxic, serious health hazards, oxidising

Group 2: all other liquids

Elastomer sealing options are nitrile, fluorocarbon and ethylene propylene, specified at the time of ordering.

Please consult with the factory if in doubt.

Certification

This equipment is supplied with a Declaration of Conformity in accordance with the requirements of either the Equipment and Protective Systems Intended for use in Potentially Explosive Atmospheres Regulations 2016, or the ATEX Directive 2014/34/EU, or BS EN ISO 80079-36:2016. Any modification to the equipment by a third party may invalidate the certification.

INSTALLATION & MAINTENANCE

APPLICATION

Please refer to page 2 when determining suitability for operation in a potentially explosive atmosphere.

This equipment is suitable for use in both indoor and outdoor applications; the 316 stainless steel construction makes it ideal for saline environments. The pump and reservoir are supplied assembled and ready for use.

The hydraulic hand pump provides manual hydraulic power for a range of applications such as manual back up systems and hydrostatic testing. It is fitted with a soft seat outlet check valve and is thus ideal for leak testing. Pumping operation is double acting; fluid is displaced on both the up and down strokes.

The pump is available in 5 displacement per double stroke/ maximum pressure ranges; 7cc/ 700 bar, 12cc/400 bar, 25cc/ 200 bar, 49cc/ 100 bar, and 100cc/ 50 bar.

Please refer to page 2 for compatibility with group 1 and group 2 liquids, and check materials of construction are compatible with the operating media. Sealing options are nitrile, fluorocarbon and ethylene propylene elastomers, specified at time of ordering.

Depending on specification, the pump may be fitted with a soft seat pressure hold/ release needle valve, an adjustable pressure relief valve, and a pressure gauge.

The 316 polished stainless steel operating handle is detachable and measures 450mm or 625mm, and doubles as a carrying handle on models without a trolley.

Reservoirs for carrying by hand are manufactured in 316 stainless steel and offered in 5, 10 or 20 litre capacities. Reservoirs with integral 2 wheel trolley are manufactured in 316 stainless steel and are offered in 10, 20 or 50 litre capacities. There is also a 50 litre option with 4 wheel stainless steel turntable trolley.

All reservoirs have a filler/breather and dip stick, and feature an auxiliary plugged port to facilitate cleaning.

MATERIALS

The materials of construction are 316 stainless steel, aluminium bronze, UHMWP, PTFE and elastomeric sealing.

SAFETY

This unit is a component forming part of a hydraulic pressure system. If forming part of a permanent installation, the system should be designed, operated and maintained in accordance with statutory requirements and other relevant instructions. A risk assessment covering safe installation, operation and maintenance should always be carried out prior to use.

CONNECTIONS

The outlet connection is a 9/16" UNF SAE female port (G3/8 on 7cc/ 700 bar unit); a G1/4 male 60° coned adaptor is fitted as standard. Connect suitable hose to outlet fitting, and make connection to external system.

The pressure gauge port is G1/4 flat bottomed and is plugged where a pressure gauge is not supplied.

COMMISSIONING

The reservoir may be filled by unscrewing the filler cap and topping up to desired level with clean fluid; do not over fill. Use the dipstick to determine fluid level. Always refit filler cap after top up.

Ensure that the reservoir is sitting on a level floor or firm and flat ground.

Models for carrying; unclip hook from handle.

If fitted, close the soft seat release/ hold valve by screwing knob in fully clockwise; do not overtighten. Operate the handle by moving up and down until maximum required pressure is achieved. Check for leaks in the system.

To release pressure, unscrew release/ hold valve knob, slowly for a controlled release.

To set relief valve, remove cap, adjust set screw whilst operating hand pump to achieve maximum pressure requirement, then refit cap.

When decoupling hose from the system, ensure that the pressure has been fully released.

Models with trolley; the hose may be coiled around the storage brackets on the trolley upright.

Models for carrying; clip the hook back onto the handle for carrying purposes.

MAINTENANCE

Maintenance operations should only be carried out by a competent service engineer.

The inlet and outlet check valves are serviceable and employ replaceable seats. Service kits are available comprising all seals, seats, balls and springs.

The pump inlet strainer should be checked periodically for fouling. To do this, the pump should be removed from the reservoir; ensure that the mounting gasket is in good condition when refitting, and that the pump mounting screws are sufficiently tightened to effect a seal between the pump and reservoir.

The reservoir media should be kept clean. Draining and flushing may be facilitated by unscrewing the auxiliary plug; fit a new 1/2" BSP sealing washer when refitting plug.

If using aqueous media, ensure that the reservoir is protected from low temperatures to prevent against risk of freezing.

Sarum Hydraulics Ltd also offer a servicing facility; please advise before returning the unit to us.

SPECIFICATION

Displacement/ double stroke, max. operating pressure and max. flow (typical)::

MP-*-7: 7cc, 700 bar, 0.3 litres/ minute

MP-*-12: 12cc, 400 bar, 0.5 litres/ minute

MP-*-25: 25cc, 200 bar, 1 litre/ minute

MP-*-49: 49cc, 100 bar, 2 litres/ minute

MP-*-100: 100cc, 50 bar, 4 litres/ minute

Nom. operating hand load (625mm, at max. pressure): 460N

Ambient operating temperature range: -20 to 40°C

Media operating temperature range:

Nitrile: -35 to 80°C

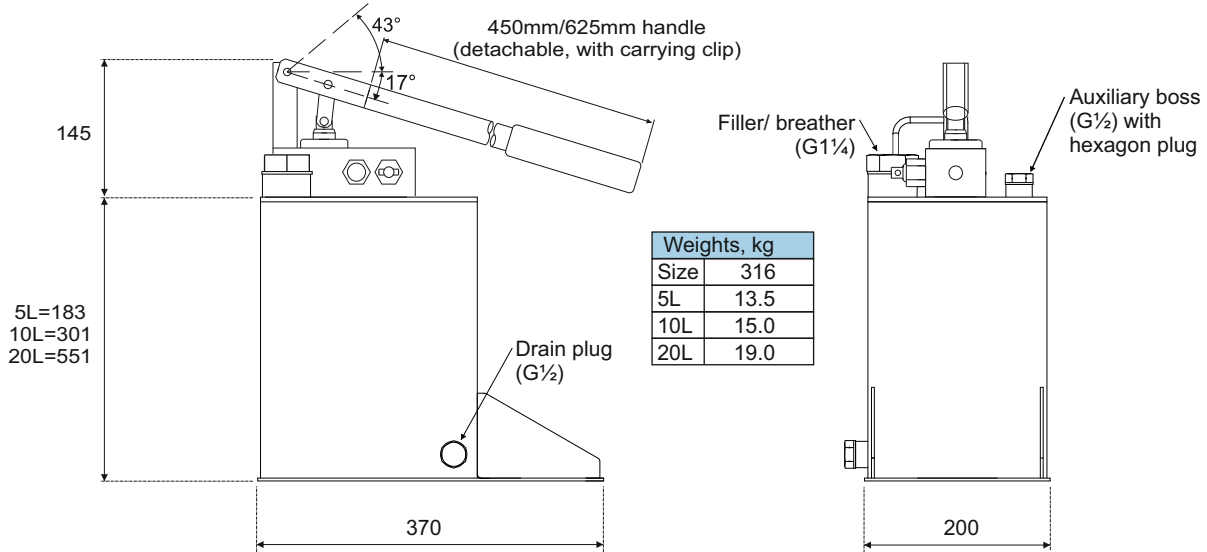
Fluorocarbon: -26 to 80°C

EPDM: -50 to 80°C

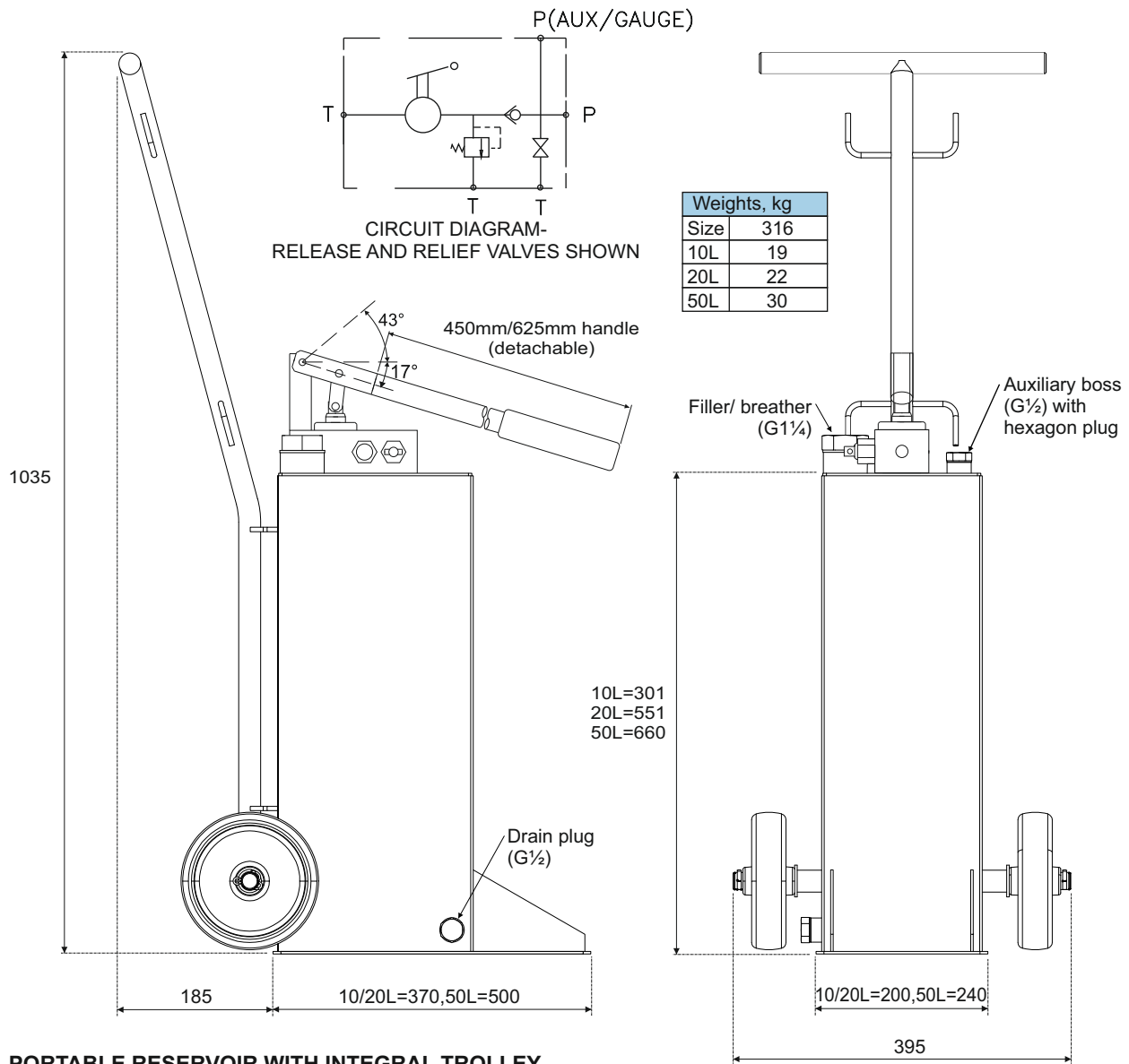
DIMENSIONS

FOR DETAILS OF 50 LITRE RESERVOIR WITH TURNTABLE TROLLEY, SEE OUR RESERVOIRS DATA SHEET 001026300

ALL DIMENSIONS IN mm

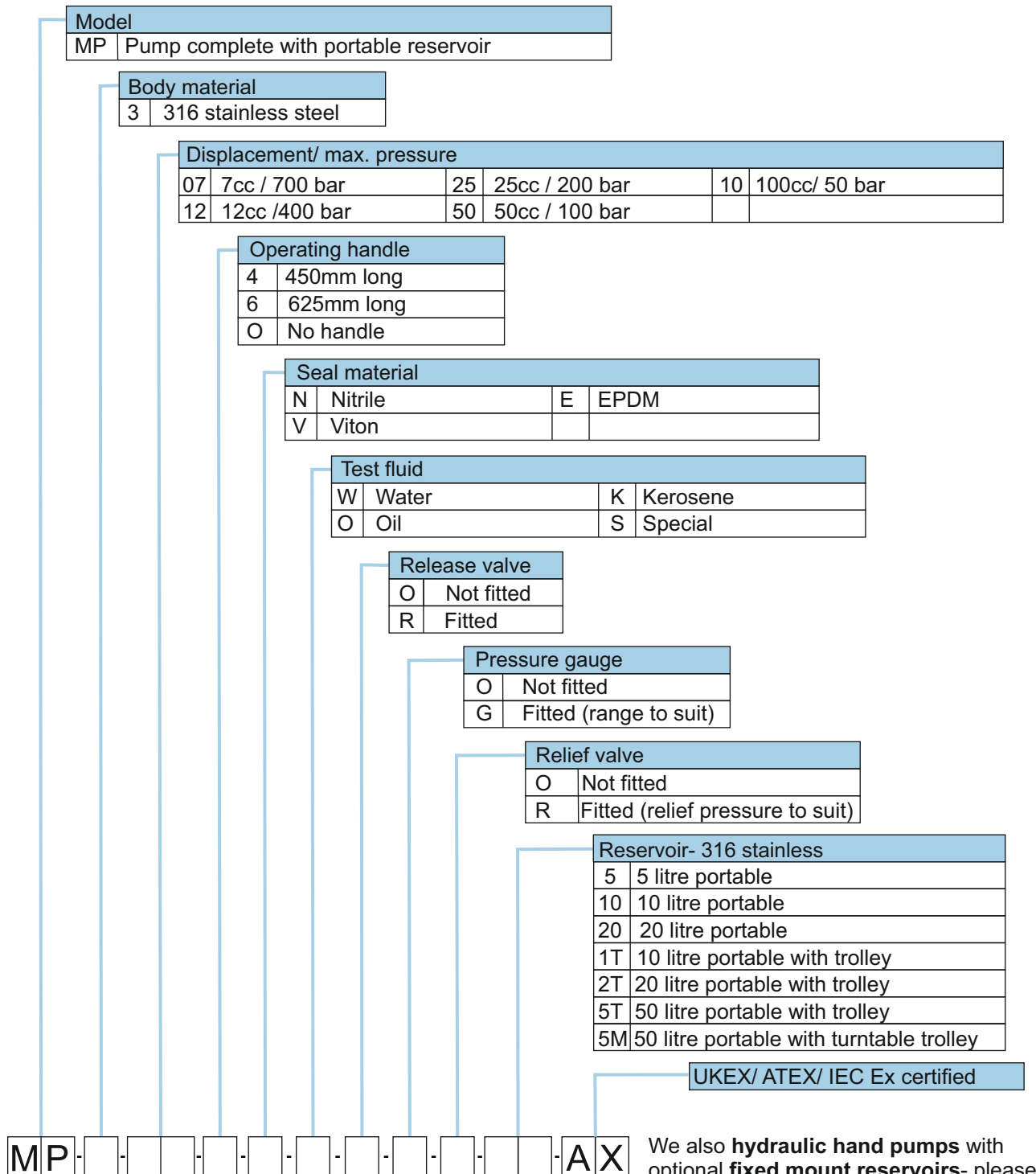


PORTABLE RESERVOIR FOR CARRYING BY HAND



PORTABLE RESERVOIR WITH INTEGRAL TROLLEY

ORDERING CODES FOR PUMP AND RESERVOIR



We also **hydraulic hand pumps** with optional **fixed mount reservoirs**- please see our MW-AX range data sheet.

We are a long established ISO 9001:2015 certificated designer and manufacturer of hydraulic equipment. Full details of other products in our range are available from:

Sarum Hydraulics Limited
 Unit 1 Danebury Court, Salisbury, SP4 6EB, UK
 Tel: 44(0)1722 328388 Fax: 44(0)1722 414307
 email:pumpsales@sarum-hydraulics.co.uk
 www.sarum-hydraulics.co.uk



SARUM
 HYDRAULICS
 Designers & Manufacturers of Micropac® Hydraulics

We invest heavily and continuously in product development. Specifications are therefore liable to change without prior notification.
 ®Micropac is a Registered Trade Mark of Sarum Hydraulics