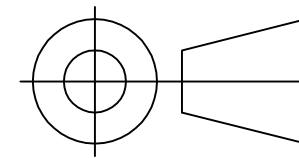
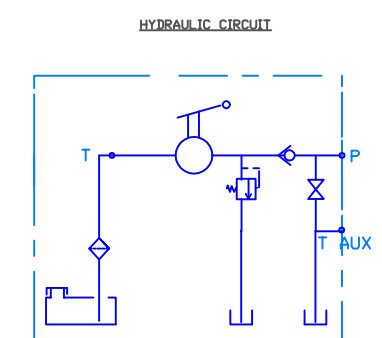
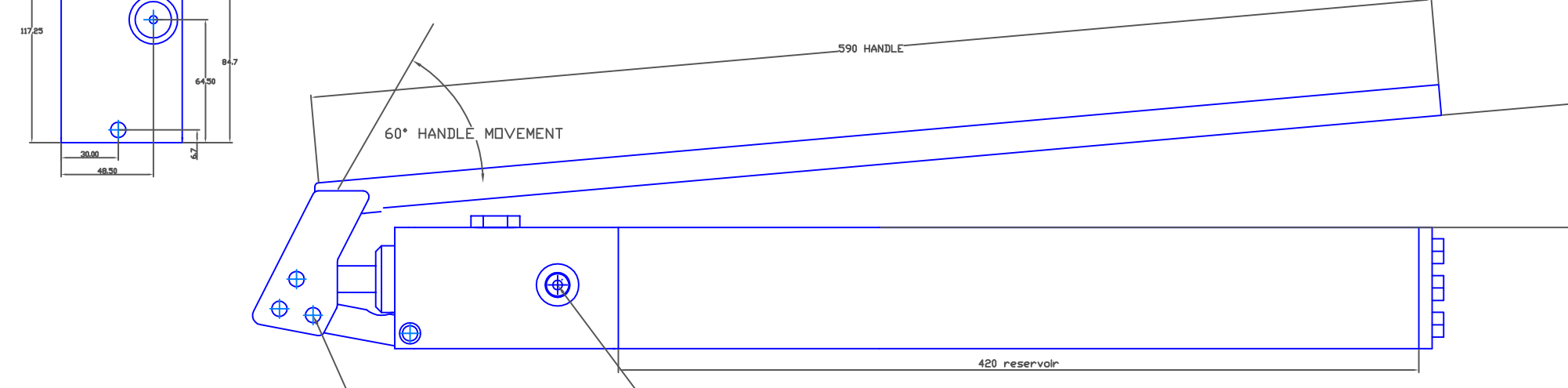
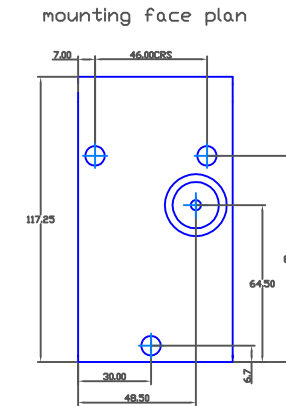
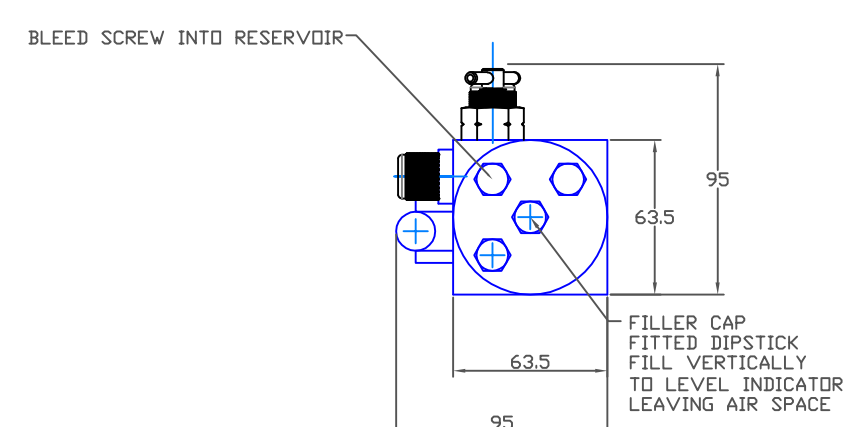
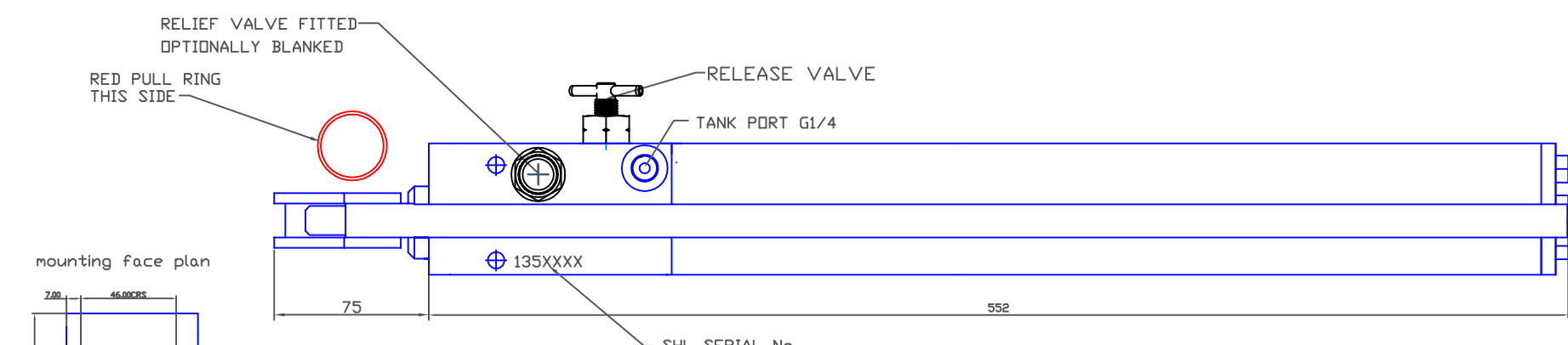
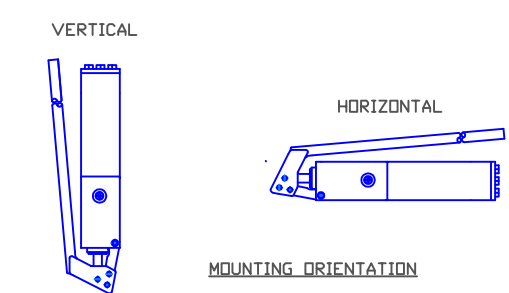
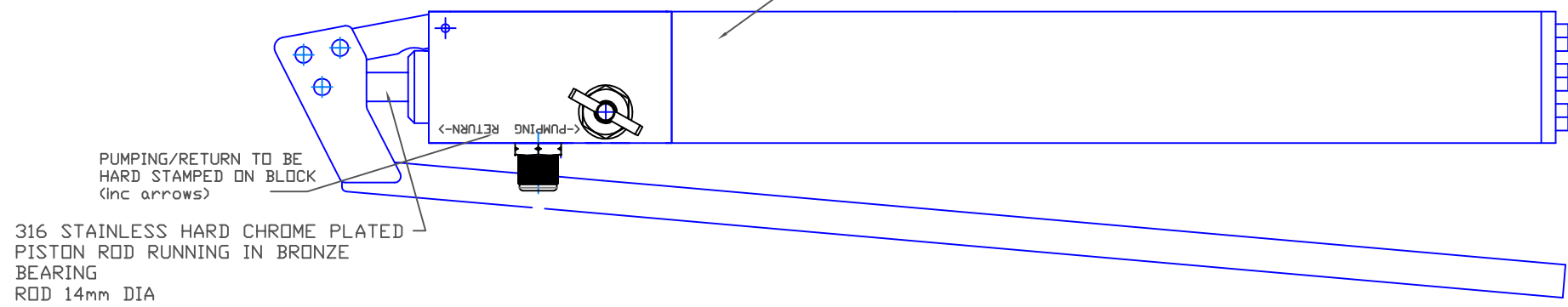


IF IN DOUBT, ASK THIRD ANGLE PROJECTION



TOLERANCES UNLESS OTHERWISE STATED
 GENERAL TOLERANCES RIGHT ANGLE BENDS &
 NO DEC. PLACE +/-1.0mm OTHER ANGLES +/-1°
 ONE DEC. PLACE +/-0.3mm MACHINED DIAMETERS
 TWO DEC. PLACE +/-0.1mm CONCENTRIC WITHIN
 +/-0.1mm T.I.R.
 SCREW THREADS ARE ISO METRIC COARSE PITCH
 TOL. 6g/6H (MED. FIT) TO BS3643
 WIRE DIA./PLATE THICKNESS TO COMMERCIAL LIMITS
 GEOMETRICAL TOLERANCING TO BS308 PART 3

TUBULAR RESERVOIR- SEALED HYDRAULIC SYSTEM
 - AIR SPACE REQUIRED- RESERVOIR MUST NOT BE OVER-FILLED.
 450cc MAX



UNLESS OTHERWISE STATED:
 DIMENSIONS IN MILLIMETRES
 SURFACE FINISH IN MICROMETRES
 REMOVE SHARP EDGES

- NOTES
1. DISPLACEMENT- 5.8cc/DOUBLE STROKE
 2. WORKING PRESSURE 700 BAR
 3. RELEASE VALVE OPTIONAL RELIEF VALVE FITTED/ WIRE LOCKED
 4. BUILT IN RESERVOIR
 5. WORKING FLUIDS- MINERAL OIL.
 6. STANDARD SEALS- NITRILE/PTFE.
 7. AUX TANK CONNECTION FITTED
 8. HANDLE EFFORT FOR 700 BAR 350N (78lbF)
 9. MASS DRY 2.5KG (APPROX)
 10. MATERIALS OF CONSTRUCTION
- EXTERNAL COMPONENTS -STAINLESS STEEL 316,302,303,304,420 , ALLOY BS1474 6082T6
 BRONZE , ACETAL, NYLON, PVC. INTERNAL COMPONENTS- STAINLESS STEEL, ALLOY 6082T6,

© COPYRIGHT 2020 SARUM HYDRAULICS LTD.

	SARUM HYDRAULICS LTD.		DRAWN JGF.	APP
	P.O. BOX 48, SALISBURY SP1 3YB TEL. 01722 328388 FAX. 01722 414307		SCALE FULL	SHEET OF
TITLE		CAD 2-D 135006500		DRAWING NO.
INSTALLATION DRAWING PMP PUMP		135006500		
1	FIRST ISSUE	12/20	MATERIAL -	FINISH -
ISSUE	D.C.N.	CHANGE DESCRIPTION & DATE	DATE IMPLEMENTED	