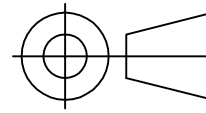


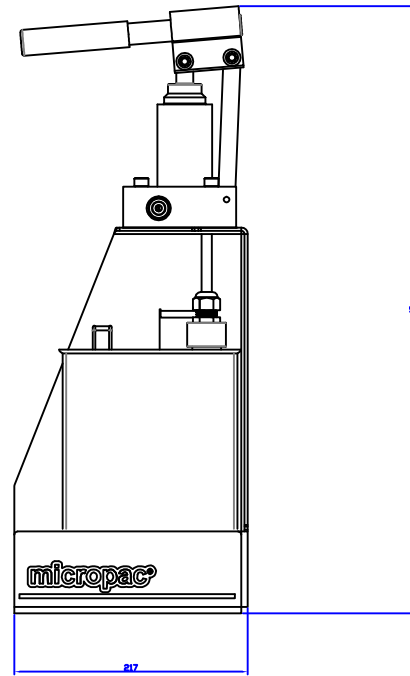
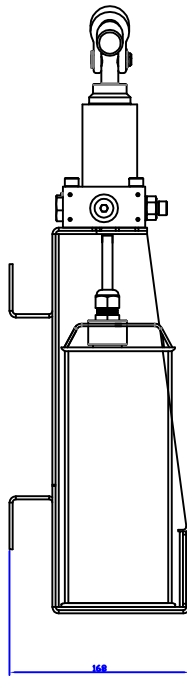
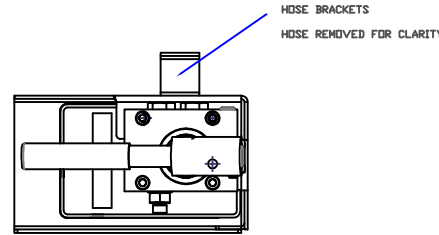
IF IN DOUBT, ASK THIRD ANGLE PROJECTION



TOLERANCES UNLESS OTHERWISE STATED
 GENERAL TOLERANCES RIGHT ANGLE BENDS &
 NO DEC. PLACE +/-1.0mm OTHER ANGLES +/-1°
 ONE DEC. PLACE +/-0.3mm MACHINED DIAMETERS
 TWO DEC. PLACE +/-0.1mm CONCENTRIC WITHIN
 +/-0.1mm T.I.R.
 SCREW THREADS ARE ISO METRIC COARSE PITCH
 TOL. 6g/6H (MED. FIT) TO BS3643
 WIRE DIA./PLATE THICKNESS TO COMMERCIAL LIMITS
 GEOMETRICAL TOLERANCING TO BS308 PART 3

NOTES

1. DISPLACEMENT 50CC/STROKE SINGLE ACTING
2. DESIGNED TO SUIT SPECIFIC EASTMAN CAN
3. FLUID- EASTMAN 'SKYDROL' AND SIMILAR PHOSPHATE ESTERS
4. TEMPERATURE RANGE -30 TO +80 DEG C
5. MASS 3.5 KG EST
6. SPECIFICATION SUBJECT TO REVISION
7. MATERIALS OF CONSTRUCTION
 ALUMINIUM ALL.DY BS1474 6082T6 ANODISED
 STAINLESS STEEL 302,303,304,316,420,431
 PISTON ROD HARD CHROME PLATED STAINLESS STEEL
8. INLET STRAINER FITTED
9. POPPET TYPE OUTLET CHECK VALVE/ REPLACEABLE SEAT
10. NO RELIEF VALVE OR RELEASE VALVE FITTED ON THIS UNIT.
11. SEAL MATERIALS - PTFE, PEROXIDE CURED EPDM
12. OPTIONAL 7µ NOMINAL STAINLESS STEEL LINE FILTER CAN BE FITTED ON OUTLET.
13. OPTIONAL 1.5 METRE PTFE/STAINLESS OVERBRAID HOSE TERMINATING 1/4BSP FEMALE SWIVEL JIC ALSO AVAILABLE.



UNLESS OTHERWISE STATED:
 DIMENSIONS IN MILLIMETRES
 SURFACE FINISH IN MICROMETRES
 REMOVE SHARP EDGES

© COPYRIGHT 2019 SARUM HYDRAULICS LTD.



SARUM HYDRAULICS LTD.

P.O. BOX 48, SALISBURY SP1 3YB
 TEL. 01722 328388 FAX. 01722 414307

TITLE
INSTALLATION DRAWING 1 GALLON DISPENSER

DRAWN	JGF	APP	JGF
		CHKD	JGF
SCALE	FULL	SHEET	OF
CAD 2-D	459000100		

DRAWING NO.
MI-E-E-01

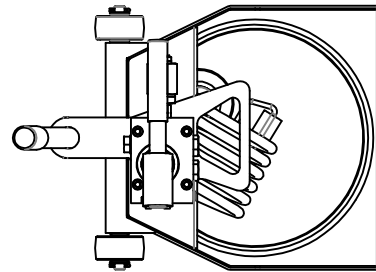
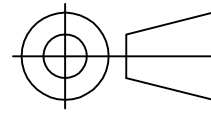
1		FIRST ISSUE	04/20
ISSUE	D.C.N.	CHANGE DESCRIPTION & DATE	DATE IMPLEMENTED

MATERIAL -
 FINISH -

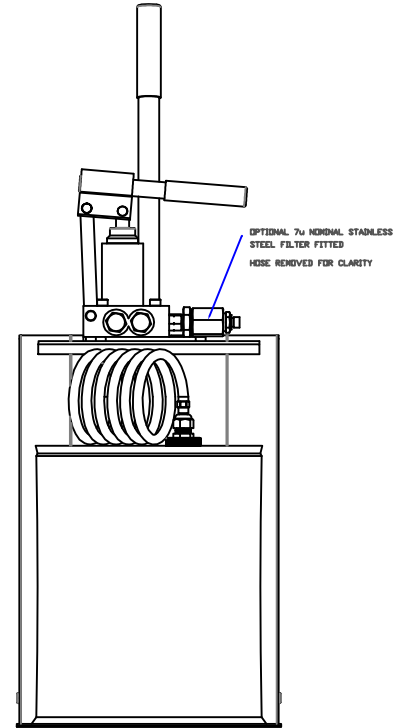
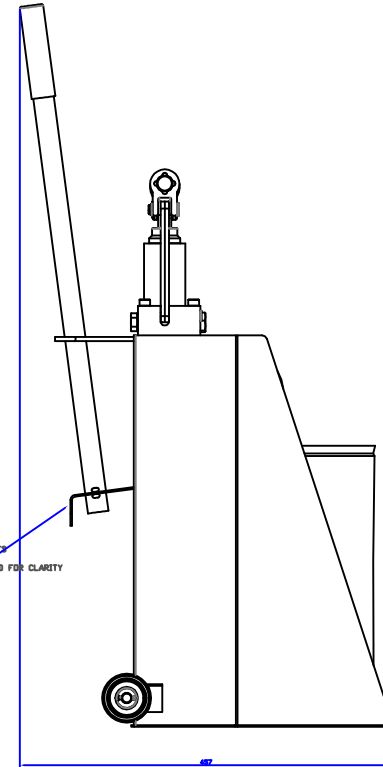
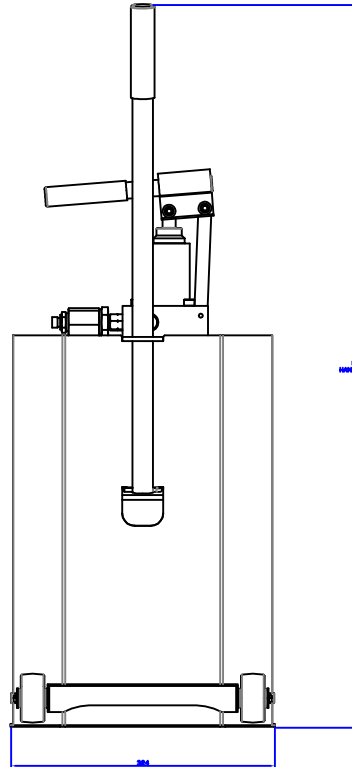
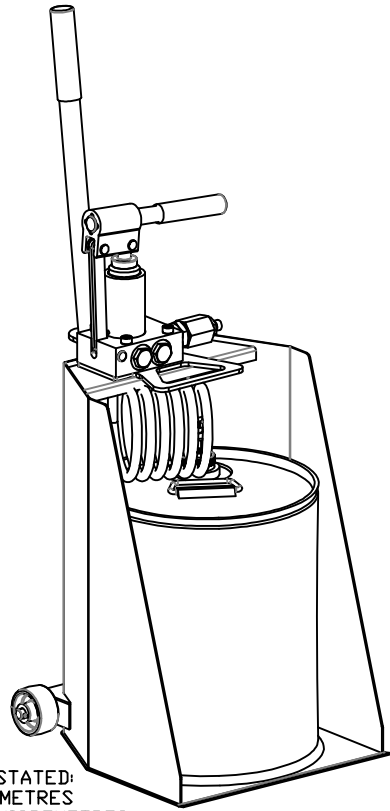
IF IN DOUBT, ASK

THIRD ANGLE PROJECTION

- NOTES**
1. DISPLACEMENT 90CC/STROKE SINGLE ACTING
 2. DESIGNED TO SUIT 5 GALLON EASTMAN DRUM
 3. FLUID- EASTMAN "OXIDOL" AND SIMILAR PHOSPHATE ESTERS
 4. TEMPERATURE RANGE -90 TO +80 DEG C
 5. MASS 7 KG EST
 6. SPECIFICATION SUBJECT TO REVISION
 7. MATERIALS OF CONSTRUCTION
ALUMINIUM ALLOY BS1474 6061T6 ANODISED
STAINLESS STEEL 302,303,304,316,403,404
 8. PISTON ROD HARD CHROME PLATED STAINLESS STEEL
 9. INLET STRAINER FITTED
 10. PERFECT TYPE OUTLET CHECK VALVE/ REPLACEABLE SEAT
 11. NO RELIEF VALVE OR RELEASE VALVE FITTED ON THIS UNIT.
 12. SEAL MATERIALS - PTFE, PEROXIDE CURED EPDM
 13. OPTIONAL 7/8 NORDAL STAINLESS STEEL LINE FILTER CAN BE FITTED ON OUTLET.
 14. OPTIONAL 15 METRE PTFE/STAINLESS OVERBRAID HOSE TERMINATING 1/4 BSP FEMALE SVIVEL. JIC ALSO AVAILABLE.



TOLERANCES UNLESS OTHERWISE STATED
 GENERAL TOLERANCES RIGHT ANGLE BENDS &
 NO DEC. PLACE +/-1.0mm OTHER ANGLES +/-1°
 ONE DEC. PLACE +/-0.3mm MACHINED DIAMETERS
 TWO DEC. PLACE +/-0.1mm CONCENTRIC WITHIN
 +/-0.1mm T.I.R.
 SCREW THREADS ARE ISO METRIC COARSE PITCH
 TOL. 6g/6H (MED. FIT) TO BS3643
 WIRE DIA./PLATE THICKNESS TO COMMERCIAL LIMITS
 GEOMETRICAL TOLERANCING TO BS308 PART 3



UNLESS OTHERWISE STATED:
 DIMENSIONS IN MILLIMETRES
 SURFACE FINISH IN MICROMETRES
 REMOVE SHARP EDGES

© COPYRIGHT 2019 SARUM HYDRAULICS LTD.

1	D.C.N.	FIRST ISSUE	08/19
ISSUE		CHANGE DESCRIPTION & DATE	DATE IMPLEMENTED

SARUM HYDRAULICS LTD.
 P.O. BOX 48, SALISBURY SP1 3YB
 TEL. 01722 328388 FAX. 01722 414307

TITLE
INSTALLATION DRAWING 5 GALLON DISPENSER

MATERIAL -
 FINISH -

DRAWN JGF	APP
	CHKD
SCALE FULL	SHEET OF
CAD 2-D	460000100
DRAWING NO.	
MI-E-E-05	